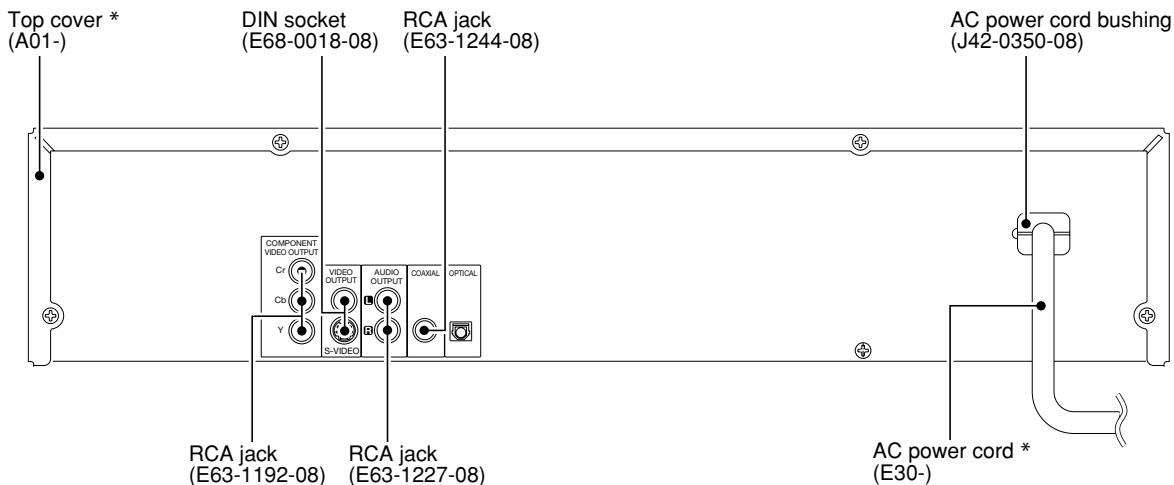
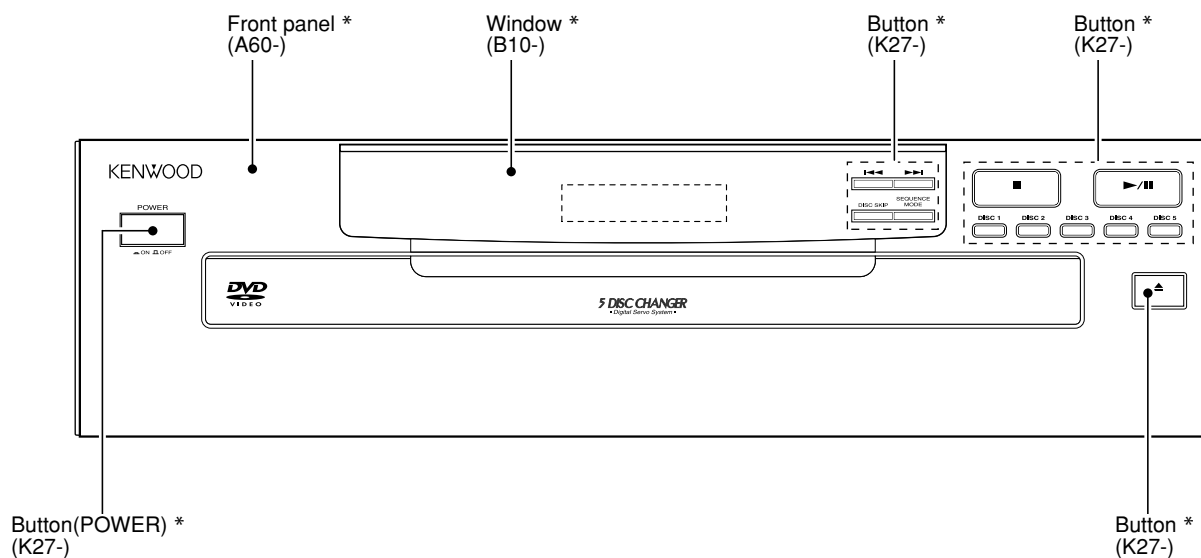


# DV-505/DVF-R4050/-S SERVICE MANUAL

© 2001-10 PRINTED IN KOREA  
B51-5758-00 (K/K) 3445



**\* Refer to parts list on page 19 .**

In compliance with Federal Regulations, following are reproduction of labels on, or inside the product relating to laser product safety.

**Caution :** No connection of ground line if disassemble the unit. Please connect the ground line on rear panel, PCBs, Chassis and some others.

KENWOOD-Corp. certifies this equipment conforms to DHHS Regulations No.21 CFR 1040. 10, Chapter 1, subchapter J.

**DANGER : Laser radiation when open and interlock defeated. AVOID DIRECT EXPOSURE TO BEAM.**



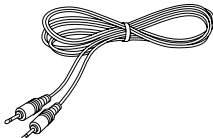
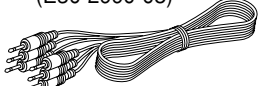
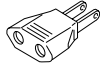
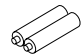
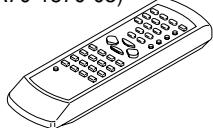
# DV-505/DVF-4050/-S

## CONTENTS / ACCESSORIES / CAUTIONS

### Contents

CONTENTS / ACCESSORIES / CAUTIONS.....	2	SCHEMATIC DIAGRAM.....	14
DISASSEMBLY FOR REPAIR.....	3	EXPLODED VIEW.....	21
BLOCK DIAGRAM.....	4	PARTS LIST.....	23
WIRING DIAGRAM.....	5	SPECIFICATIONS.....	Back cover
PC BOARD.....	10		

### Accessories

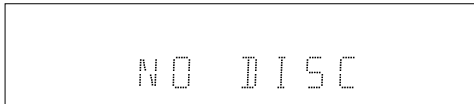
<p>Cord RCA 1p (E30-7235-08)</p> 	<p>Cord RCA 3p (E30-2990-08)</p> 	<p>*AC plug adaptor (1) (E03-0115-05)</p> 
<p>Batteries (R03/AAA) (2)</p> 	<p>Remote control unit (1) (A70-1570-08)</p> 	<p>* Use to adapt the plug on the power cord to the shape of the wall outlet. (Accessory only for regions where use is necessary.)</p>

### Cautions

#### Note related to transportation and movement

Before transporting or moving this unit, carry out the following operations.

1. Set the **POWER** key to **ON** without loading a disc.
2. Wait a few seconds and verify that the display shown appears.
3. Set the **POWER** key to **OFF**.



#### Beware of condensation

When the difference between the internal temperature of the unit and external atmosphere is large, dew (mist) may be produced on the internal parts of the unit. In such a case, turn the unit ON and leave it for a few hours until the condensation has dried up.

#### Be especially careful in the following conditions:

When the unit is brought into a place where there is a large difference in temperature between the previous location, when the humidity of the listening room is high, etc.

#### Operation to reset

The microprocessor may fall into malfunction (impossibility to operate erroneous display, etc.) when the power cord is unplugged while power is ON or due to an external factor. In this case, execute the following procedure to reset the microprocessor and return it to normal condition.

- Please note that resetting the microprocessor clears the contents stored in, it returns the microprocessor to the condition when it left the factory.

- ① In **POWER ON** condition, keep the **DISC 3** key and the **◀◀** (Skip) key pressed at the same time.
- ② When both keys are pressed, the region code of the unit, the software version, etc. will be displayed on the display. (When nothing is done, the display of this information continues.) Example: 71 . 16 . 06:14
- ③ Press the **DISC 4** key and the **◀◀** key at the same time. "BYE" will be shown on the display.
- ④ Press the **ON/OFF** key to go to Power OFF.
- ⑤ When Power ON is performed with the **ON/OFF** key, the settings become the default factory settings.

#### The marking of products using lasers (Except for some areas)

**CLASS 1  
LASER PRODUCT**

The marking is located on the rear panel and says that the component uses laser beams that have been classified as Class 1. It means that the unit is utilizing laser beams that are of a weaker class. There is no danger of hazardous radiation outside the unit.

#### Attention

Please contact our KENWOOD Service Department in your side if you want the service information; Circuit Description. Full Described Parts list and so. Information is available to you by internet from us.

# DV-505/DVF-4050/-S

## DISASSEMBLY FOR REPAIR

### 1. How to open the tray if it does not come out. (Fig. 1)

1. Turn the gear ccw in the direction of the arrow in the drawing through the hole on loading chassis bottom.
2. Pull out the tray frontward by hand when it comes just out.

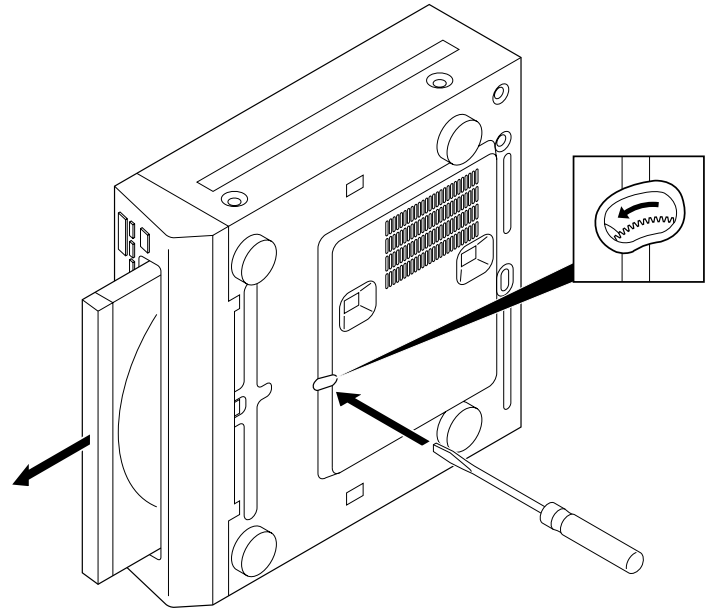


Fig. 1

### 2. How to Remove the Tray (Fig. 2)

1. Remove the front panel, front chassis, power supply and the left mecha. frame.
2. Pull out the tray frontward (①) to match the dent of tray (②) to the protrusions of the mecha. base (③).
3. Remove the tray upward (④).

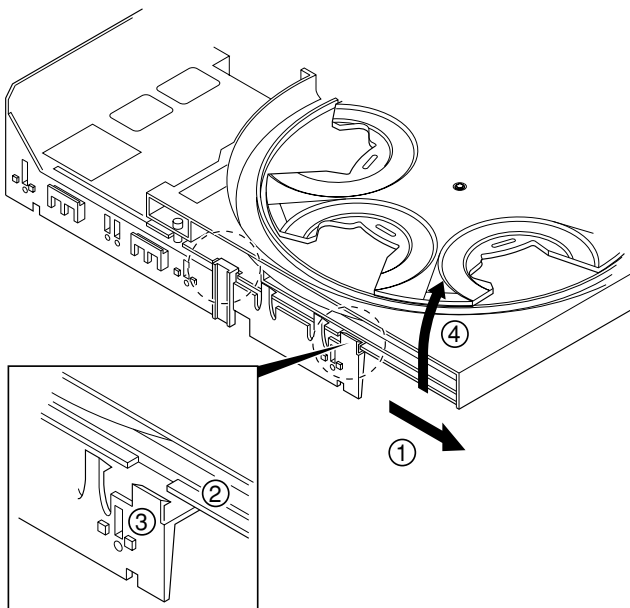


Fig. 2

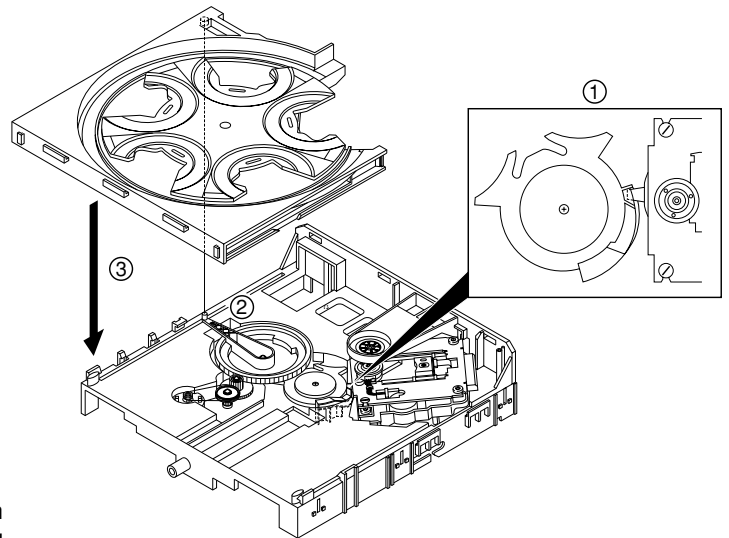


Fig. 3

### 3. How to assemble the Tray (Fig. 3,4)

1. Adjust the position of the plastic cam lifter (①) and main gear (②) in the drawing (①) so that the traverse unit will reach the lowest position.
2. Attach the tray in the direction (③, ④) of the arrow in the drawing.
3. Push the tray backward.

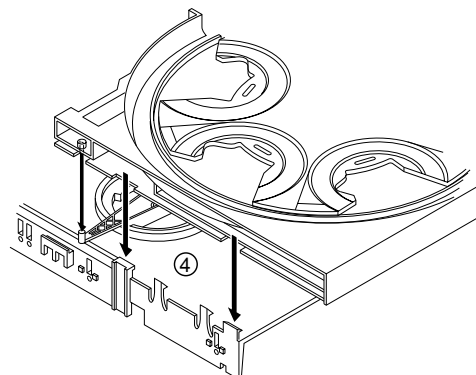
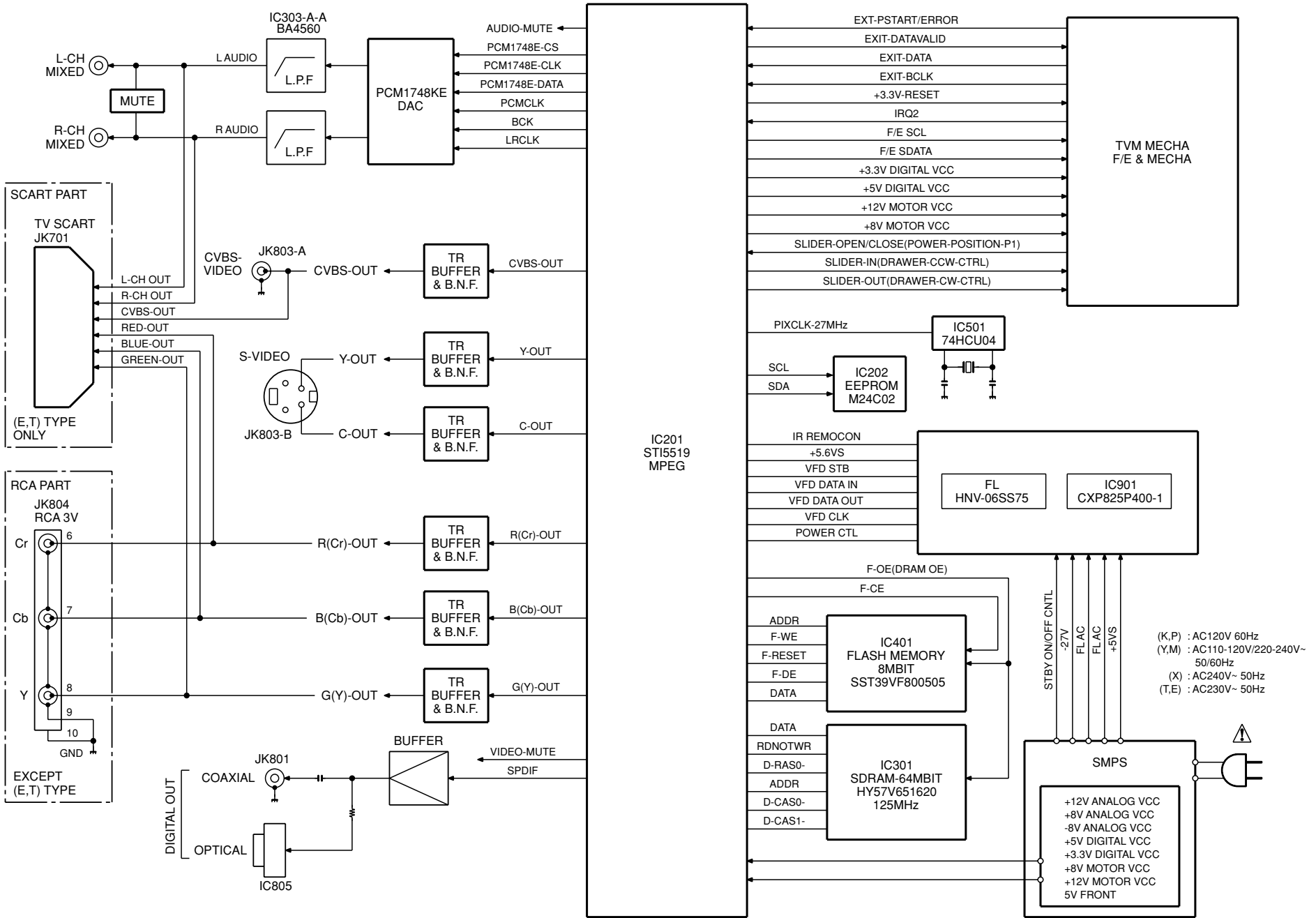


Fig. 4

# DV-505/DVF-4050/-S

## BLOCK DIAGRAM



# DV-505/DVF-4050/-S

## CIRCUIT DESCRIPTION

### Port list sorted by function for MPEG IC(Main IC201)

Port No.	Port Name	I/O	Main Function	Alternate function	
				Input	Output
<b>Audio DAC</b>					
51	DAC SCLK	O	Over sampling clock		EXT AUD CLOCK
52	DAC PCMOUT0	O	PCM out 0		EXT AUD DATA
53	DAC PCMOUT1	-	PCM out 1(Unused)	EXT AUD REQ	
54	DAC PCMOUT2	-	PCM out 2(Unused)		
55	DAC PCMCLK	I/O	PCM clock		
56	DAC LRCLK	O	Left/Right clock		EXT AUD WCLK
57	SPDIF OUT	O	SPDIF out		
48	VDD PCM	-	VDD(+3V3)		
49	VSS PCM	-	GND		
<b>Clock &amp; Reset</b>					
124	RESET	I	Chip reset		
122	VDD PLL	-	VDD PLL		
123	VSS PLL	-	GND		
120	PIX CLK	I	27MHz main clock		
<b>PIOs and communication</b>					
186	PIO0(0) T STROBE	I/O	PIO0(0)	UART0 data	
187	PIO0(1) MOD SW	I/O	PIO0(1)		ATAPI RD
188	PIO0(2)	O	Rotary motor (+)		
189	PIO0(3)	O	Rotary sen		
190	PIO0(4)	O	Disc sen		
191	PIO0(5) SLIDER SENSOR OPEN/CLOSE (CLOSE POSITION)	I/O	PIO0(5)		
192	PIO0(6) SLIDER SENSOR OPEN/ CLOSE (DRAWER POSITION)	I/O	PIO0(6)		
193	PIO0(7) SLIDER IN (DRAWER CCW/CTRL)	I/O	PIO0(7)		
194	PIO1(0) SDA	I/O	PIO1(0)	SSC0 data (MTRSR out/MRST in)	
195	PIO1(1) SCL	I/O	PIO1(1)	SSC0 clock	
196	PIO1(2) SLIDER OUT (DRAWER CW/CTRL)	I/O	PIO1(2)	PARA DVALID	
197	PIO1(3) TXD(JIG)	I/O	PIO1(3)		UART2 TXD
200	PIO0(4) RXD(JIG)	I/O	PIO1(4)	UART2 RXD	
201	PIO1(5) FRONT TXDI	I/O	PIO1(5)	PARA SYNC	UART1 RXD
202	TRIGGER IN	I/O	Trigger in for DCU		
203	TRIGGER OUT	I/O	Trigger out for DCU		
204	PIO2(0) H/P IND	-	Unused		
205	PIO2(1) FRONT RXD	I/O	PIO2(1)	PARA SYNC	
206	PIO2(2)	-	Unused		
207	PIO2(3)	-	Unused		
208	PIO2(4) AUDIO MUTE	I/O	Audio mute		
1	PIO2(5) RGB SEL(BLANK)	I/O	RGB sel. (blank)		
2	PIO2(6) VIDEO MUTE	I/O	Video mute		
3	PIO2(7) 16: 9 INDICATOR	I/O	16 : 9 indicator		
6	PIO3(0) SCART H(TV/AUX)	I/O	PIO3(0)	PARA DATA(0)	
7	PIO3(1) POWER CTL	I/O	PIO3(1)	PARA DATA(1)	
8	PIO3(2)	I/O	Unused	PARA DATA(2)	
9	PIO3(3)	I/O	Unused	PARA DATA(3)/ CAPTURE IN0	
10	PIO3(4) IR REMOCON	I/O	Unused		
11	PIO3(5)	I/O	Unused	PARA DATA(5)/ CAPTURE IN2	UART2 RTS(RTS2)

# DV-505/DVF-4050/-S

## CIRCUIT DESCRIPTION

Port No.	Port Name	I/O	Main Function	Alternate function	
				Input	Output
12	PIO3(6)	I/O	Unused	PARA DATA(6)/ UART1 CTS(CTS1)	COMP OUT1
13	PIO3(7) DVD RESET	I/O	PIO3(7)	PARA DATA(7)/ UART2 CTS(CTS2)	COMP OUT0
39	PIO4(0)HP MUTE	-	Unused		
40	PIO4(1)	-	Unused		
41	PIO4(2)	-	Unused		
42	PIO4(3) DAC RESET	-	Unused		
43	PIO4(4) PLL CS	-	Unused		
44	PIO4(5) DAC CLOCK	O	DAC clock		
45	PIO4(6) DAC DATA	O	DAC data		
46	PIO4(7) DAC CS	I/O	PIO4(0~7)		YC(0~7)
<b>Reserved</b>					
20	B WCLK	I/O	Unused		
21	B V4	I/O	Connected to GND		
22	NRSS OUT	I/O	Unused		
103	ADC SCLK	I/O	Unused		
104	ADC LRCK	I/O	Unused		
105	ADC DATA	I/O	Unused		
106	ADC PCMCLK	O	Unused		
<b>EMI Interface</b>					
161~170	CPU ADR(1~10)	O	ADR(1~10)		
173~183	CPU ADR(11~21)	O	ADR(11~21)		
141~148	CPU DATA(0~7)	I/O	DATA(0~7)		
151~158	CPU DATA(8~15)	I/O	DATA(8~15)		
138	CPU RAS1	I/O	Unused		
131	CPU WAIT	I	Connected to GND		
130	CPU RW	O	Unused		
128	CPU BE(0)	O	BYTE 0 ENABLE		
129	CPU BE(1)	O	BYTE 1 ENABLE		
139	CPU CAS0	O	Unused		
140	CPU CAS1	O	Unused		
135	CPU CE(0)	O	Unused		
134	CPU CE(1)	O	Unused		
133	CPU CE(2)	O	Chip Sel. BANK2		
132	CPU CE(3)	O	Chip Sel. BANK3		
118	CPU PRO CLK	O	SDRAM clock		
117	CPU OE	I/O	Output enable		
<b>Interrupt</b>					
127	IRQ(0)	I	Unused		
126	IRQ(1)	I	Unused		
125	IRQ(2)	I	IRQ(2) (MD IRQ)		
<b>Timers</b>					
116	PWM0	I/O	Unused	HSYNC	
115	PWM1	I/O	Pulse width modula o	Boot from ROM3	
114	PWM2	I/O	Unused	VSYNC	
<b>JTAG</b>					
113	TCK	I	Test clock		
112	TDI	I	Test data in		
111	TDO	O	Test data out		
110	TMS	I	Test mode select		
109	TRST4	I	Test reset		
<b>Front-end</b>					
16	B DATA	I	12S data	SER Data	
17	B BCLK	I	12S bit clock	SER BCLK	

# DV-505/DVF-4050/-S

## CIRCUIT DESCRIPTION

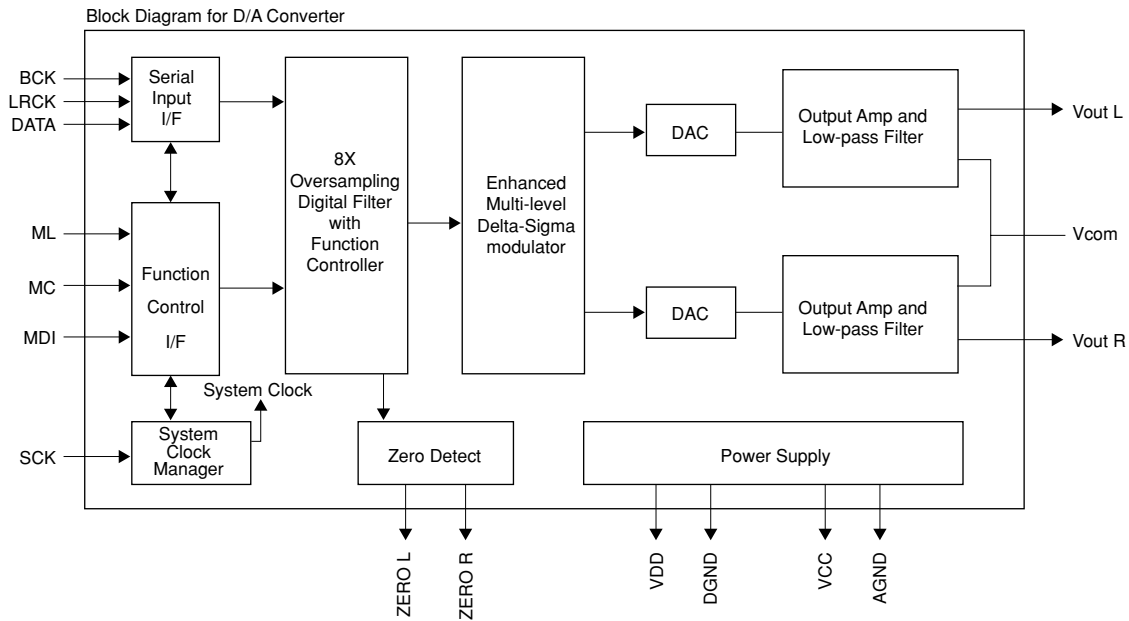
Port No.	Port Name	I/O	Main Function	Alternate function	
				Input	Output
18	B FLAG	I	12S error flag DVD	SER VALID	
19	B SYNC	I	12S selector/ABS time	SER SYNC	
<b>Video DAC</b>					
27,26,25	R/G/B (OUT)	O	R/G/B output		
32~34	Y/C/CV (OUT)	O	Y/C/CV output		
29	I REF RG	I	I REF DAC RGB		
28	V REF RG	I	V REF DAC RGB		
36	I REF YCC	I	I REF DAC YCC		
35	V REF YCC	I	Y REF DAC YCC		
23	VDD RGB	-	YDDA RGB = 2.5V		
24	VSS RGB	-	GND		
30	VDD YCC	-	YDDA YCC = 2.5V		
31	VSS YCC	-	GND		
<b>Shared memory interface</b>					
69~66	SMI ADR(0~3)	O	Address bus SDRAM		
58~63	SMI ADR(4~9)	O	Address bus SDRAM		
70~73	SMI ADR(10~13)	O	Address bus SDRAM		
84~93 97~102	SMI DATA(0~15)	I/O	Data bus SDRAM		
74,75	SMI CS(0,1)	O	Chip select bank 0,1		
76	SMI RAS	O	RAS SDRAM		
77	SMI CAS	O	CAS SDRAM		
78	SMI WE	O	SDRAM write enable		
79,80	SMI DQML, U	O	DQ MASK EN LOW, UP		
82	SMI CLKIN	I	SDRAM clock in		
95	SMI CLKOUT	O	SDRAM clock out		
<b>Power supply</b>					
4,47,81,107 136,159,184	VDD3.3	-	3.3V Power supply		
14,37,64,94 119,149,171,198	VDD2.5	-	2.5V Power supply		
5,15,38,50,65,83 96,108,121,137 150,160,172,185,199	VSS	-	GND		

### D/A Converter : PCM1748(IC302)

Pin No.	Pin Name	I/O	Description
1	BCK	I	Audio data bit clock input.
2	DATA	I	Audio data digital input.
3	LRCK	I	Audio data latch enable input.
4	DGND	-	Digital ground.
5	VDD	-	Digital power supply (+3.3v).
6	VCC	-	Analog power supply (+5v).
7	VOUTL	O	Analog output for L-channel.
8	VOUTR	O	Analog output for R-channel.
9	AGND	-	Analog ground.
10	VCOM	-	Common voltage decoupling.
11	ZEROR	O	Zero flag output for R-channel.
12	ZEROL	O	Zero flag output for L-channel.
13	MD	I	Mode control data input.
14	MC	I	Mode control clock input.
15	ML	I	Mode control latch input.
16	SCK	I	System clock input

# DV-505/DVF-4050/-S

## CIRCUIT DESCRIPTION



### 64 Bit SDRAM : HY57V651620B(IC301)

Pin No.	Pin Name	I/O	Description
38	CLK	I	The system clock input. all other inputs are registered to the SDRAM on the rising edge of CLK
37	CKE	-	Controls internal clock signal and when deactivated, the SDRAM will be one of the states among power down, suspend or self refresh.
19	CS	-	Enables or disables all inputs except CLK, CKE, and DQM.
20,21	BA0,BA1	-	Selects bank to be activated during RAS activity. Selects bank to be read/written during CAS activity.
22~26 29~35	A0~A11	-	Row address : RA0~RA11, Column address : CA0~CA7 Auto-precharge flag : A10
16,17,18	WE,CAS,RAS	-	WE, CAS and RAS define the operation.
15,39	LDQM,UDQM	I/O	Controls output buffers in read mode and masks input data in write mode.
2,4,5,7,8,10 11,13,42,44 45,47,48,50	DQ0~DQ15	I/O	Multiplexed data input/output pin.
1,3,9,14,27 43,49	VCC/VCC Q	-	Power supply for internal circuits and input buffers.
10	VSS/VSS Q	-	Ground terminal.
36,40	NC	-	Unused.

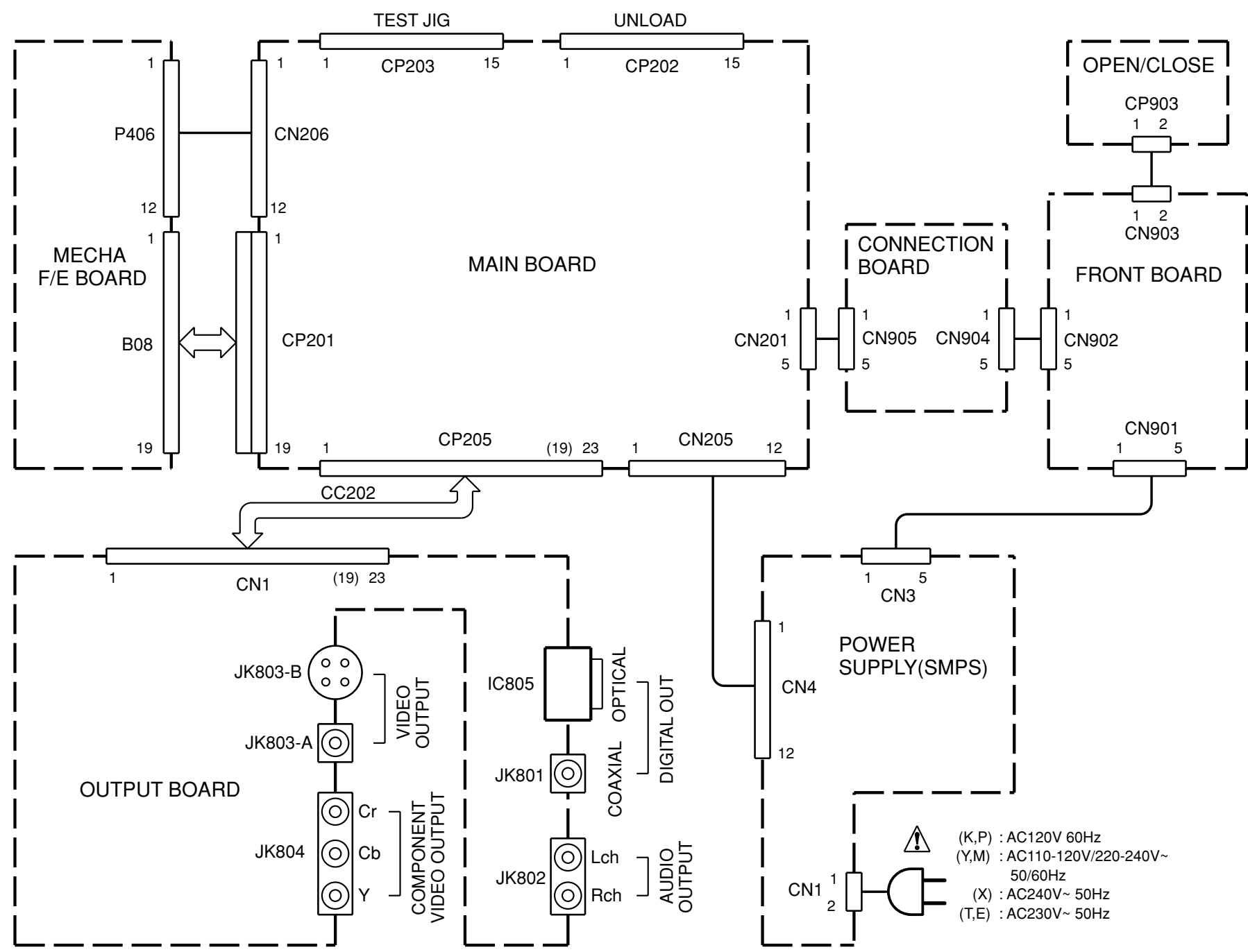
### Flash Memory : M29F400T-90N1(IC401)

Pin No.	Pin Name	I/O	Description
25,24~16,8~1	A0~A18	I	Address Inputs
29,31,33,35 38,40,42,44	DQ0~DQ7	I/O	Data Input/Outputs, Command Inputs
30,32,34,36 39,41,43	DQ8~DQ14	I/O	Data Input/Outputs
45	DQ15	I/O	Data Input/Outputs or Address input
26	CE	-	Chip Enable
28	QE	-	Output Enable
11	WE	-	Write Enable
12	RP	-	Reset/Block Temporary Unprotect
15	RY/BY	o	Ready/Busy/Output
47	BYTE	-	Byte/Word Organization
37	VCC	-	Supply Voltage
27,46	VSS	-	Ground



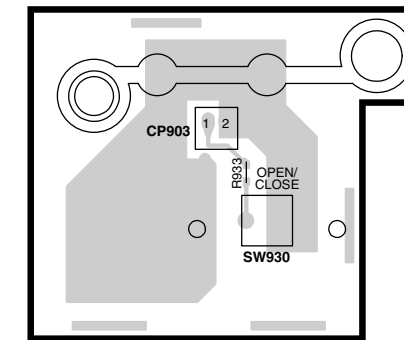
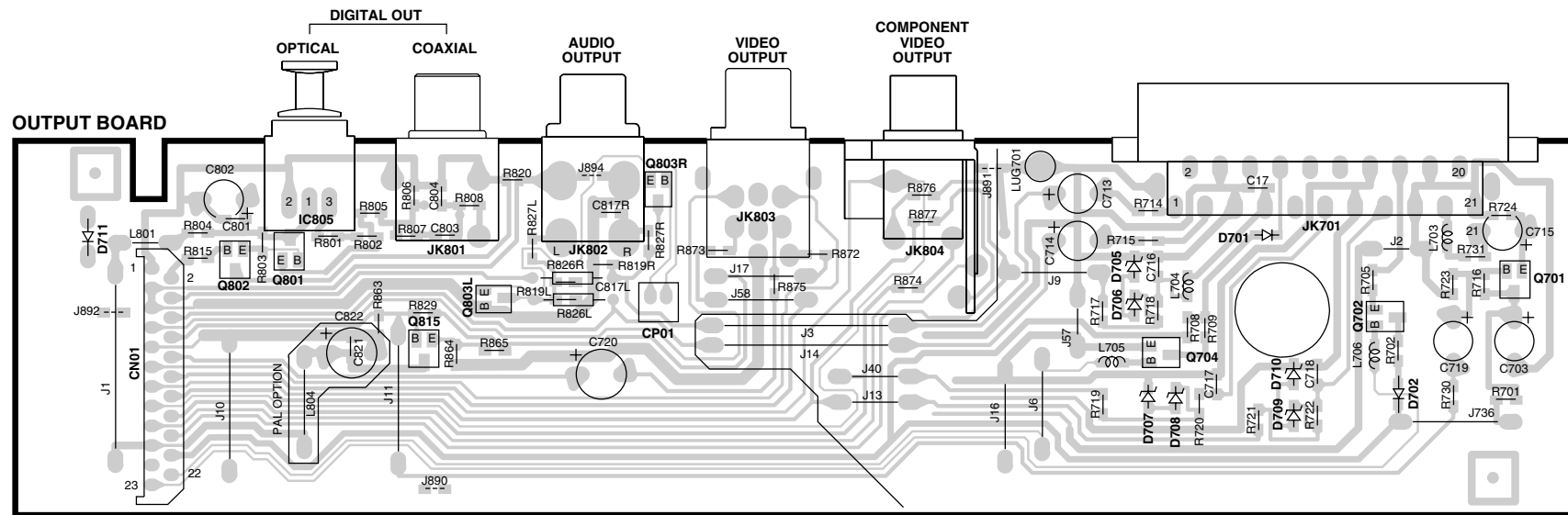
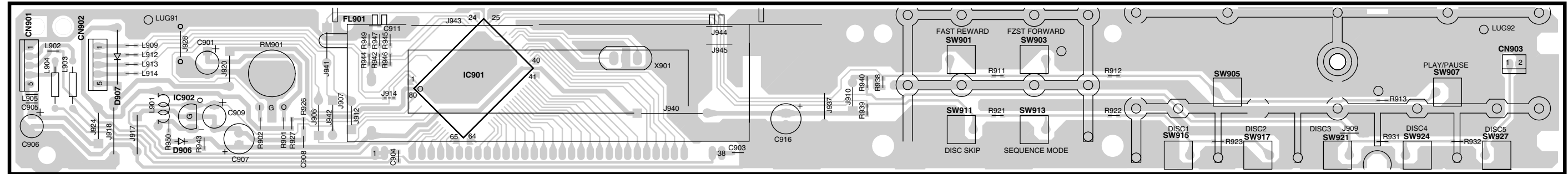
# DV-505/DVF-4050/-S

## WIRING DIAGRAM

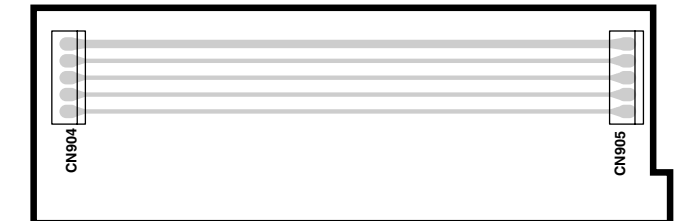


# PC BOARD(Component side view)

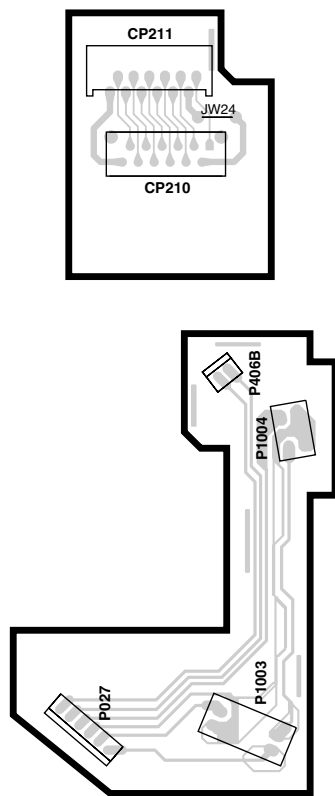
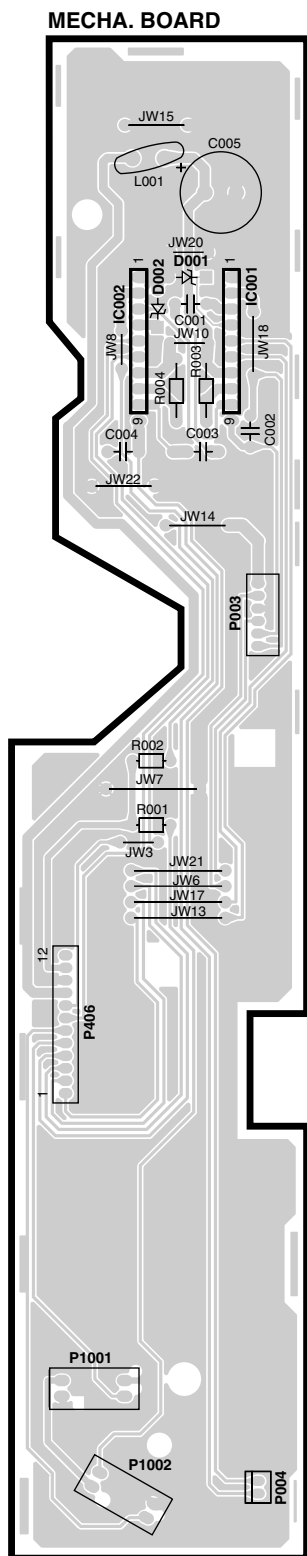
FRONT BOARD



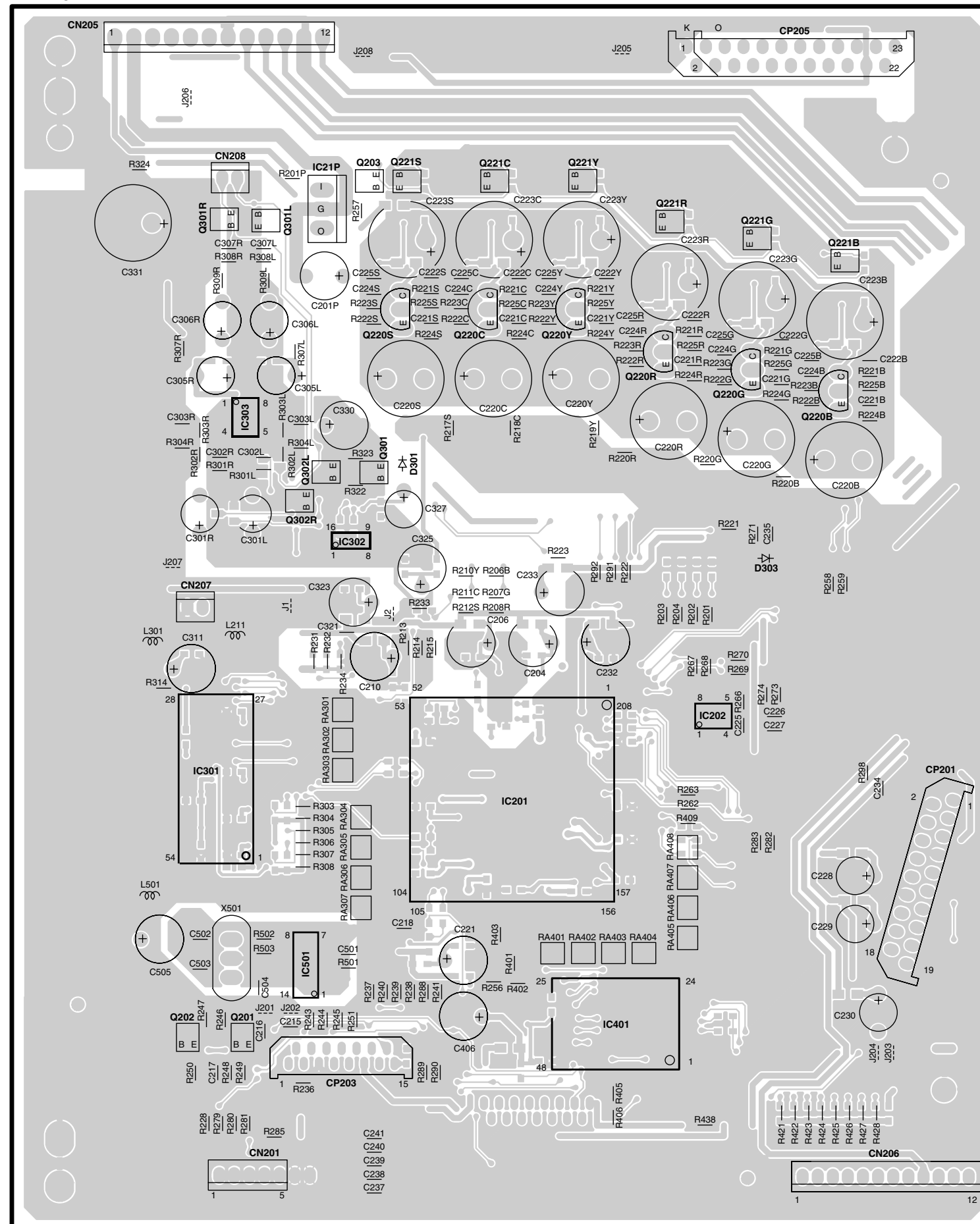
CONNECTION BOARD

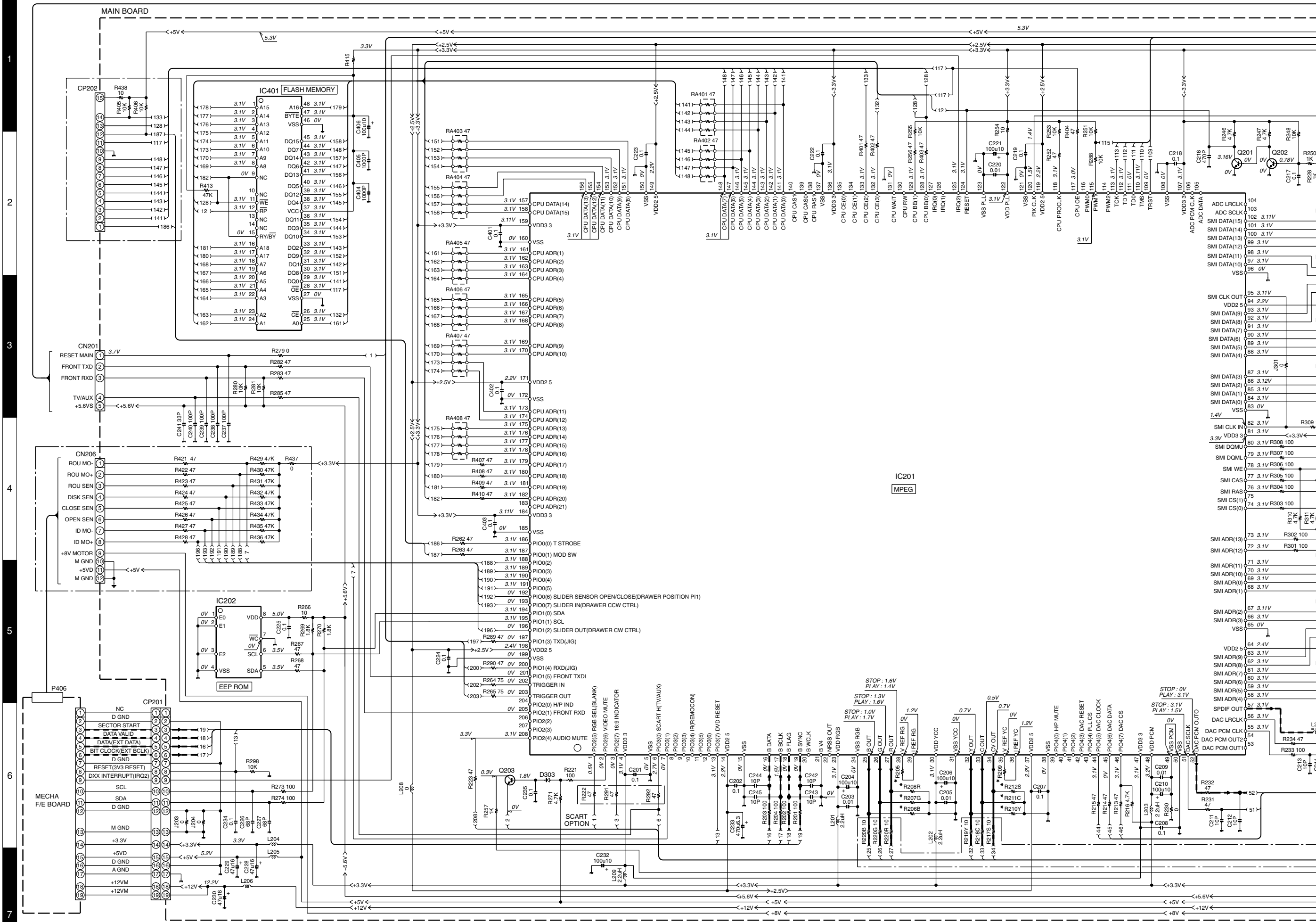


# PC BOARD(Component side view)



## MAIN BOARD





2

3

4

5

6

7

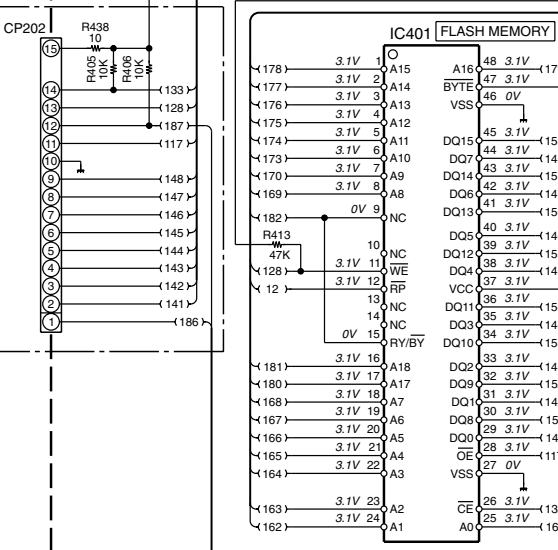
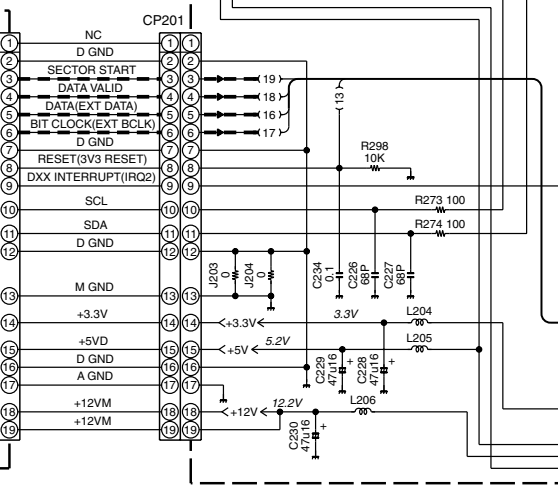
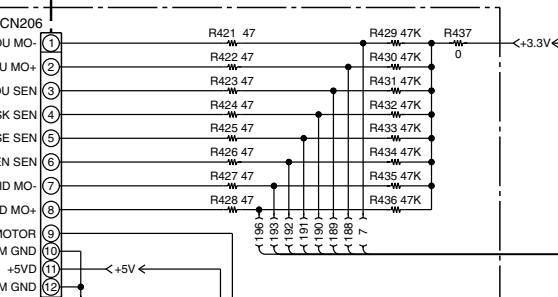
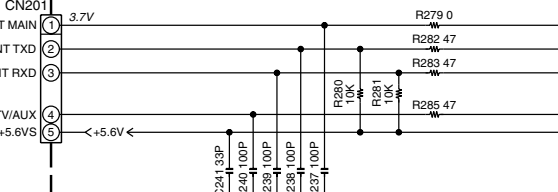
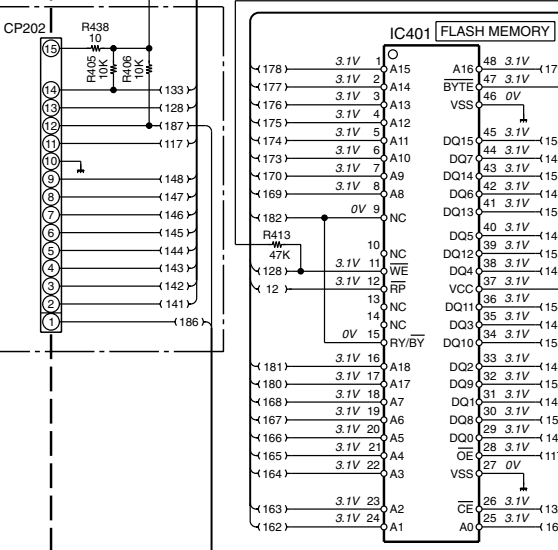
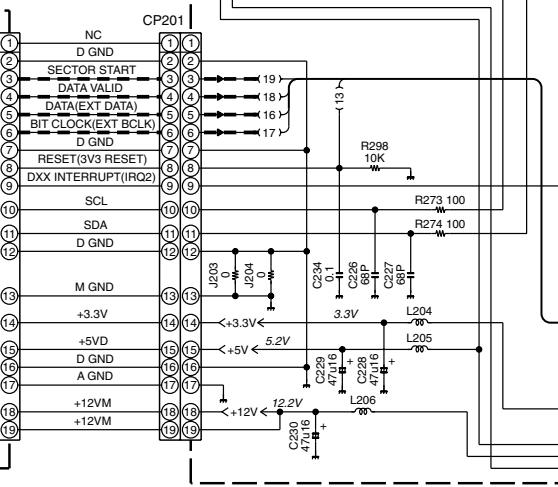
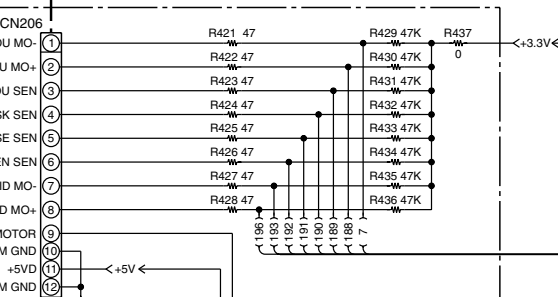
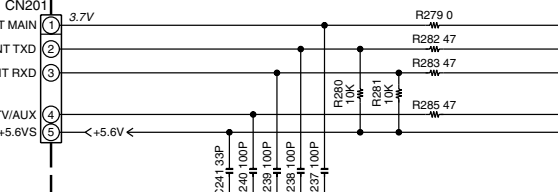
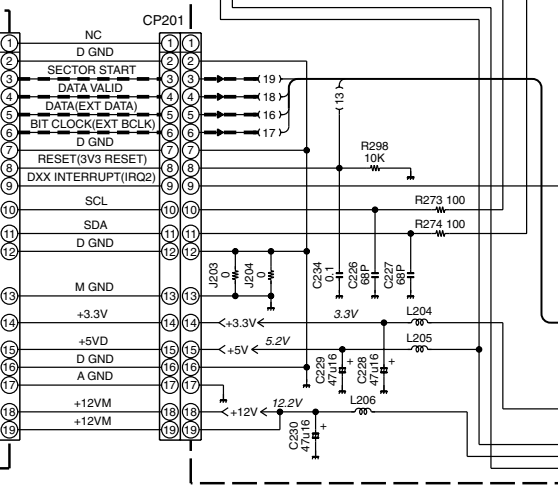
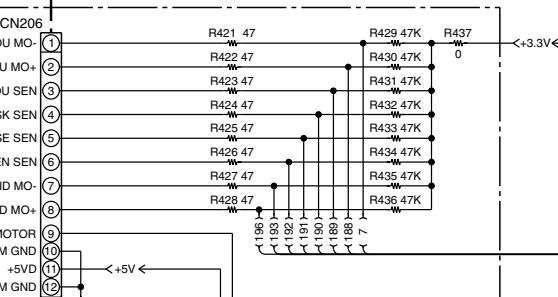
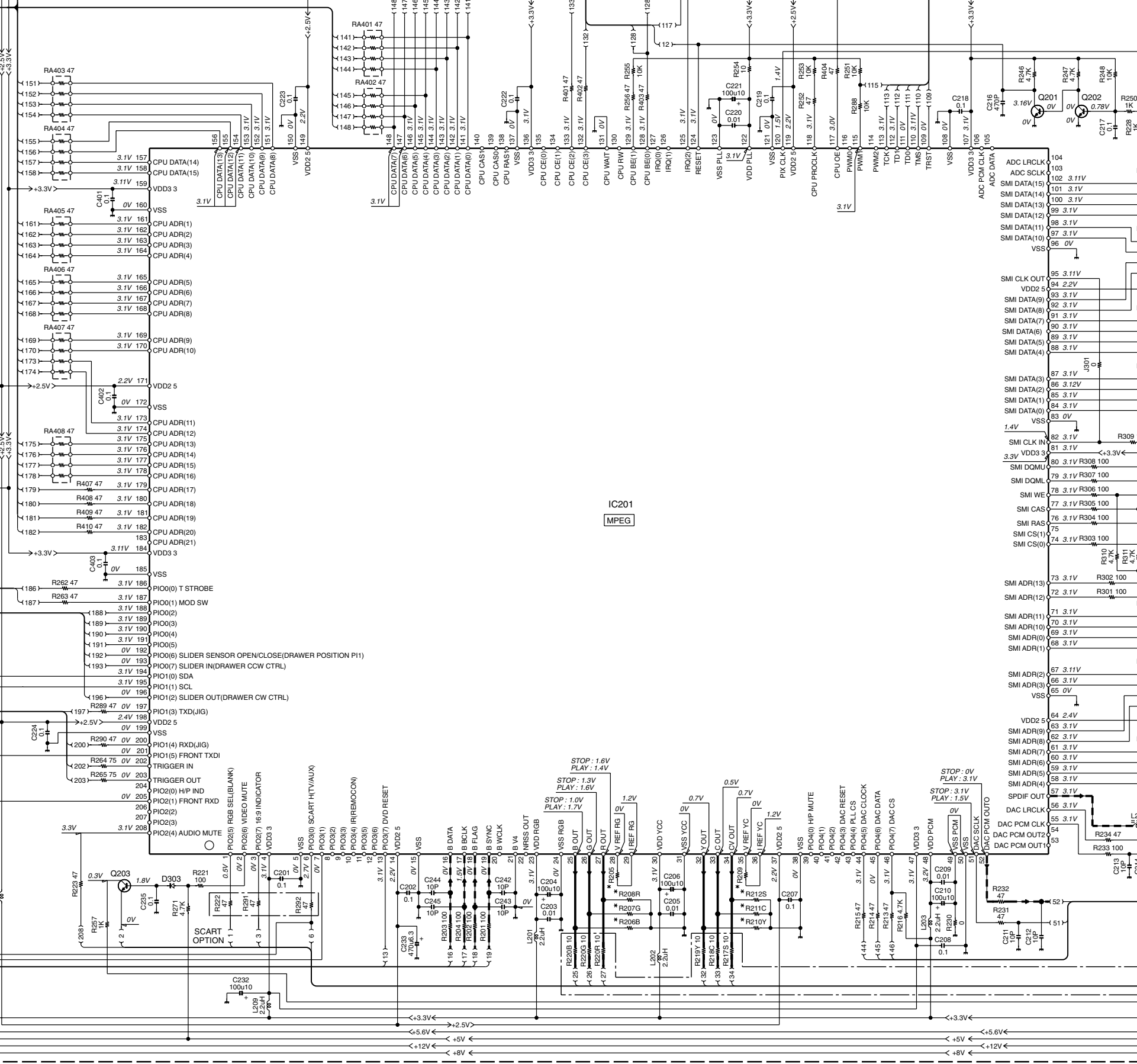
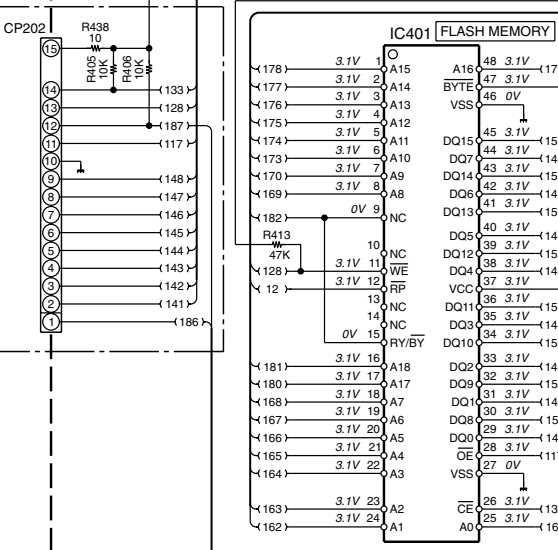
MAIN BOARD

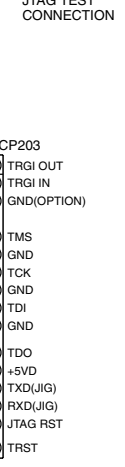
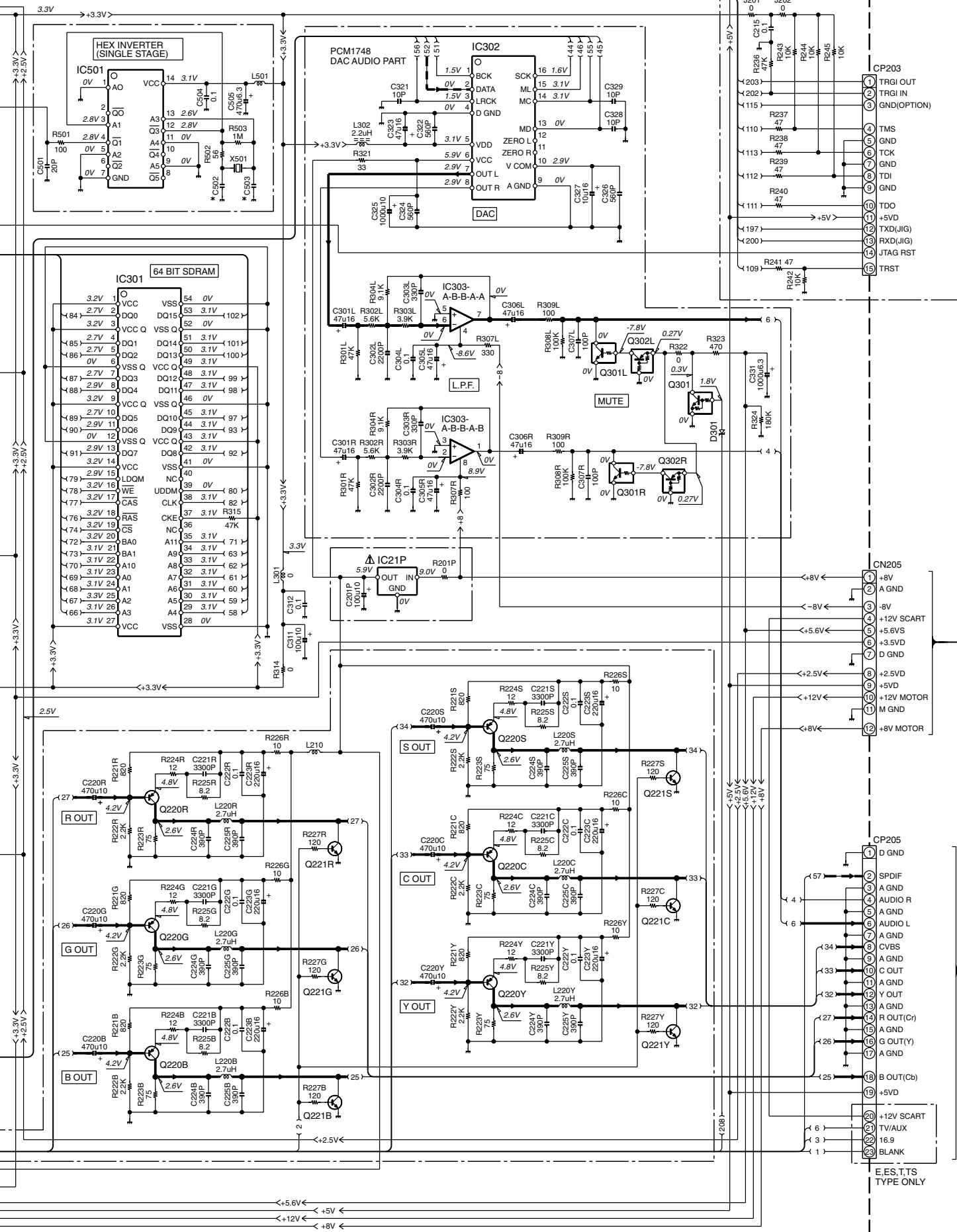
IC401 FLASH MEMORY

IC201 MPEG

IC202 EEPROM

SCART OPTION

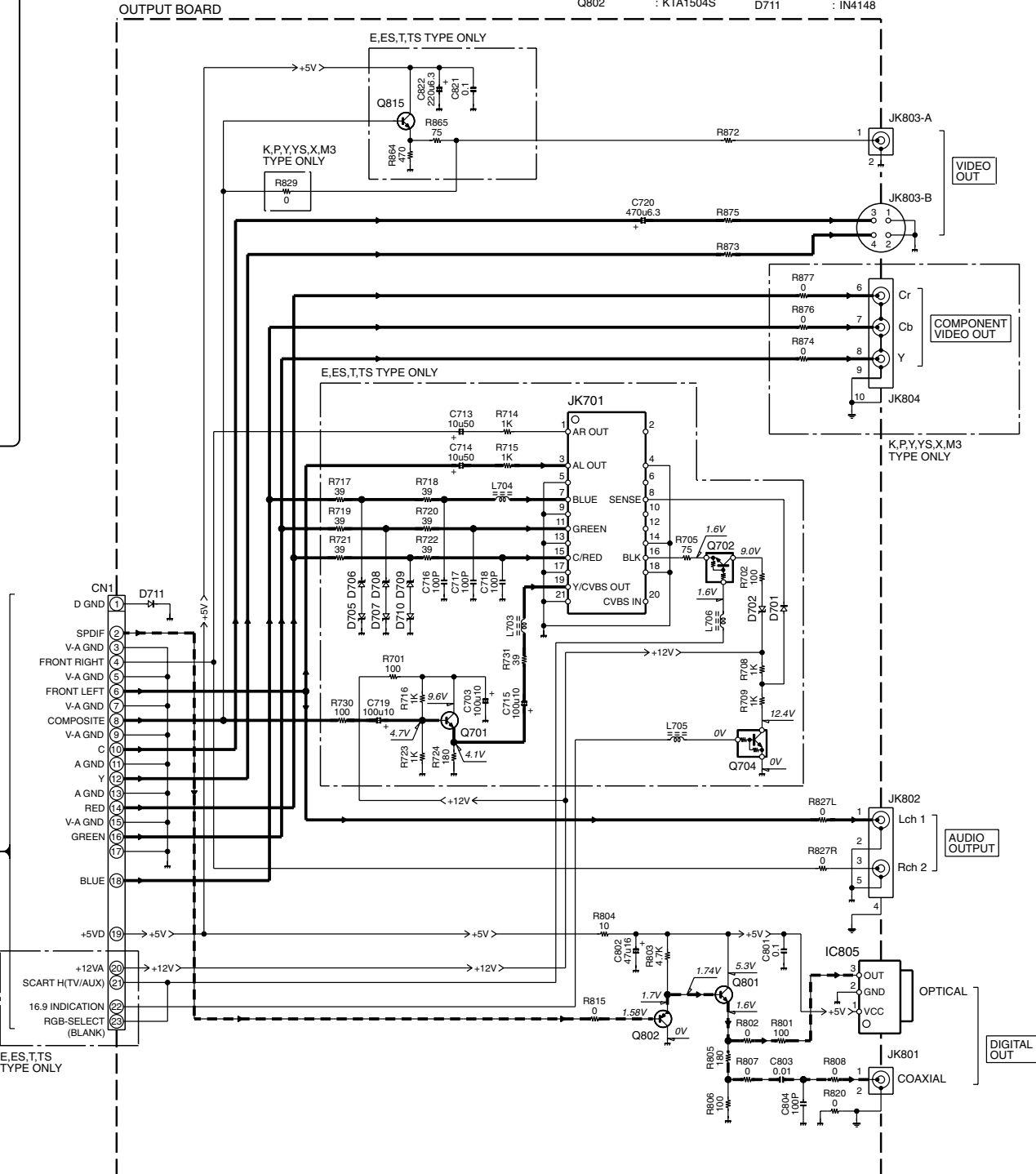
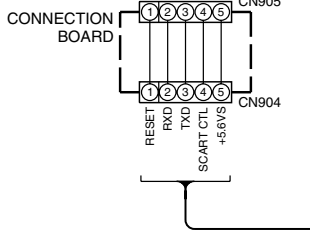


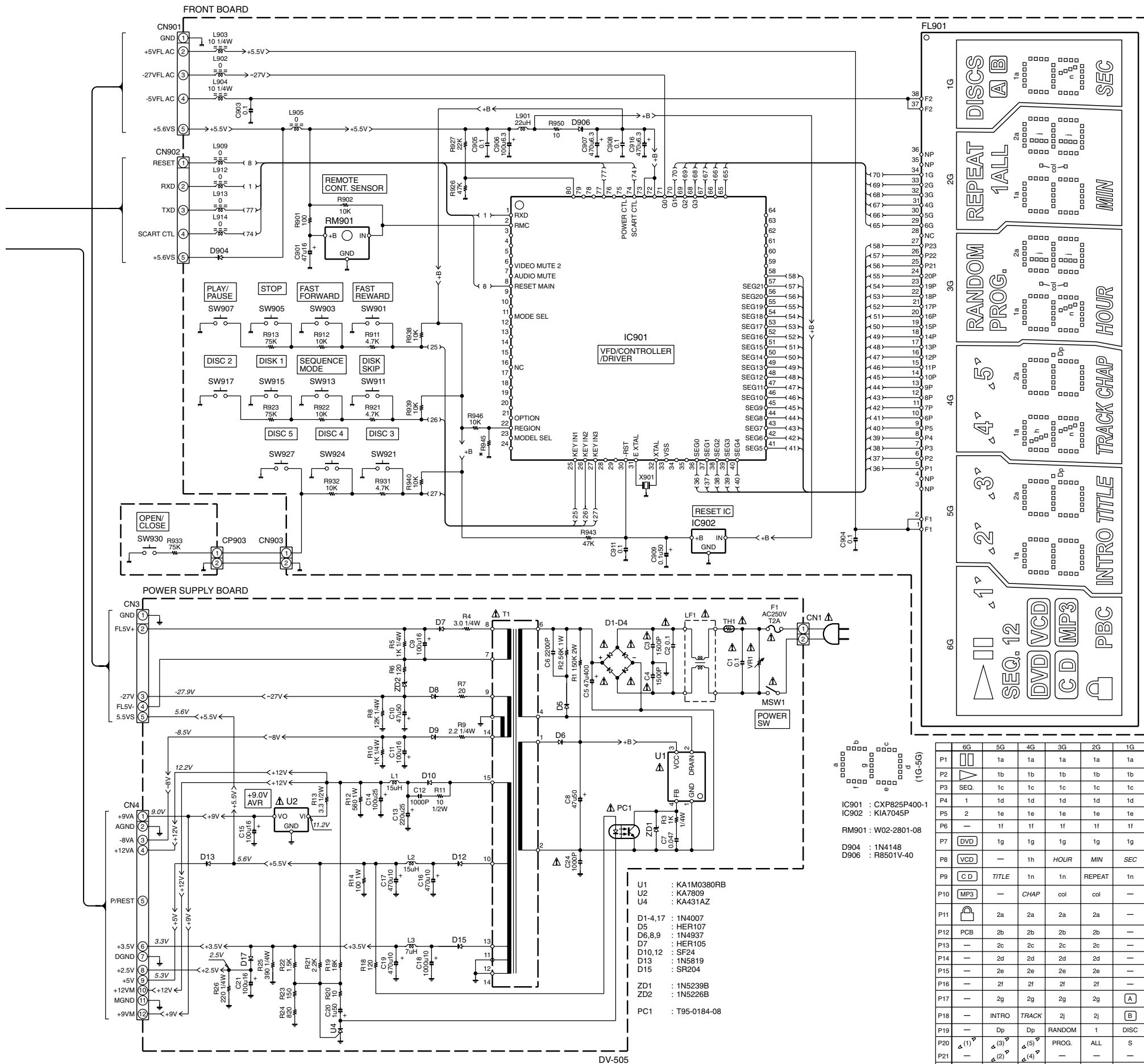


- IC21P : KIA7806
- IC201 : ST15519
- IC202 : M24C02WMN6
- IC301 : HY57V651620
- IC302 : PCM1748KE
- IC303 : BA4560F
- IC401 : \*
- IC501 : M74HCU04M1R
- Q201, 202 : KTC3198
- Q203 : KTC3875S
- Q220R, 220G, 220B, 220C, 220Y, 220S : KTN2907
- Q221B, 221G, 221R, 221C, 221S, 221Y : KTD1304
- Q301 : DTC114YKA
- Q301L, 301R : DTC323TK
- Q302L, 302R : DTA114YKA
- D301 : UD22.2B
- D303 : 1SS355

DV505/DVF-R4050

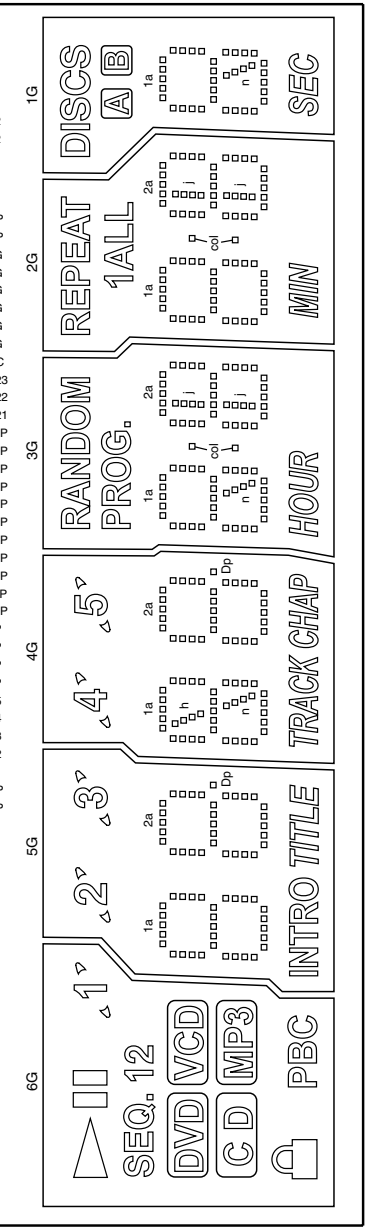
DESTINATION	C502	IC401	R205, 209	R206B, 207G, 208R, 210Y, 211C, 212S	R829	R945
U.S.A.	K					
CANADA	P	SST39VF800505K	15K	220	YES	0
PX	Y.YS					
EUROPE	E.E.S	SST39VF800505E	10K	200	NO	1.2K
U.K.	T.TS					
SOUTH AMERICA	M3	SST39VF800505X	15K	220	YES	6.8K
AUSTRALIA	X					





**CAUTION:** For continued safety, replace safety critical components only with manufacturer's recommended parts (refer to parts list). ⚠ indicates safety critical components. For continued protection against risk of fire, replace only with same type and rating fuse(s). To reduce the risk of electric shock, leakage-current or resistance measurements shall be carried out (exposed parts are acceptably insulated from the supply circuit) before the appliance is returned to the customer.

The DC voltage is an actual reading measured with a high impedance type voltmeter with no signal input. The measurement value may vary depending on the measuring instruments used or on the product.



- IC901 : CXP825P400-1
- IC902 : KIA7045P
- RM901 : W02-2801-08
- D904 : 1N4148
- D906 : R8501V-40

- U1 : KA1M0380RB
- U2 : KA7809
- U4 : KA431AZ
- D1-4,17 : 1N4007
- D5 : HER107
- D6,8,9 : 1N4937
- D7 : HER105
- D10,12 : SF24
- D13 : 1N5819
- D15 : SR204
- ZD1 : 1N5239B
- ZD2 : 1N5226B
- PC1 : T95-0184-08

	6G	5G	4G	3G	2G	1G
P1	1a	1a	1a	1a	1a	1a
P2	1b	1b	1b	1b	1b	1b
P3	1c	1c	1c	1c	1c	1c
P4	1d	1d	1d	1d	1d	1d
P5	1e	1e	1e	1e	1e	1e
P6	1f	1f	1f	1f	1f	1f
P7	1g	1g	1g	1g	1g	1g
P8	1h	1h	1h	1h	1h	1h
P9	1i	1i	1i	1i	1i	1i
P10	1j	1j	1j	1j	1j	1j
P11	2a	2a	2a	2a	2a	2a
P12	2b	2b	2b	2b	2b	2b
P13	2c	2c	2c	2c	2c	2c
P14	2d	2d	2d	2d	2d	2d
P15	2e	2e	2e	2e	2e	2e
P16	2f	2f	2f	2f	2f	2f
P17	2g	2g	2g	2g	2g	2g
P18	2h	2h	2h	2h	2h	2h
P19	2i	2i	2i	2i	2i	2i
P20	3a	3a	3a	3a	3a	3a
P21	3b	3b	3b	3b	3b	3b
P22	3c	3c	3c	3c	3c	3c
P23	3d	3d	3d	3d	3d	3d

DV-505/DVF-4050/-S

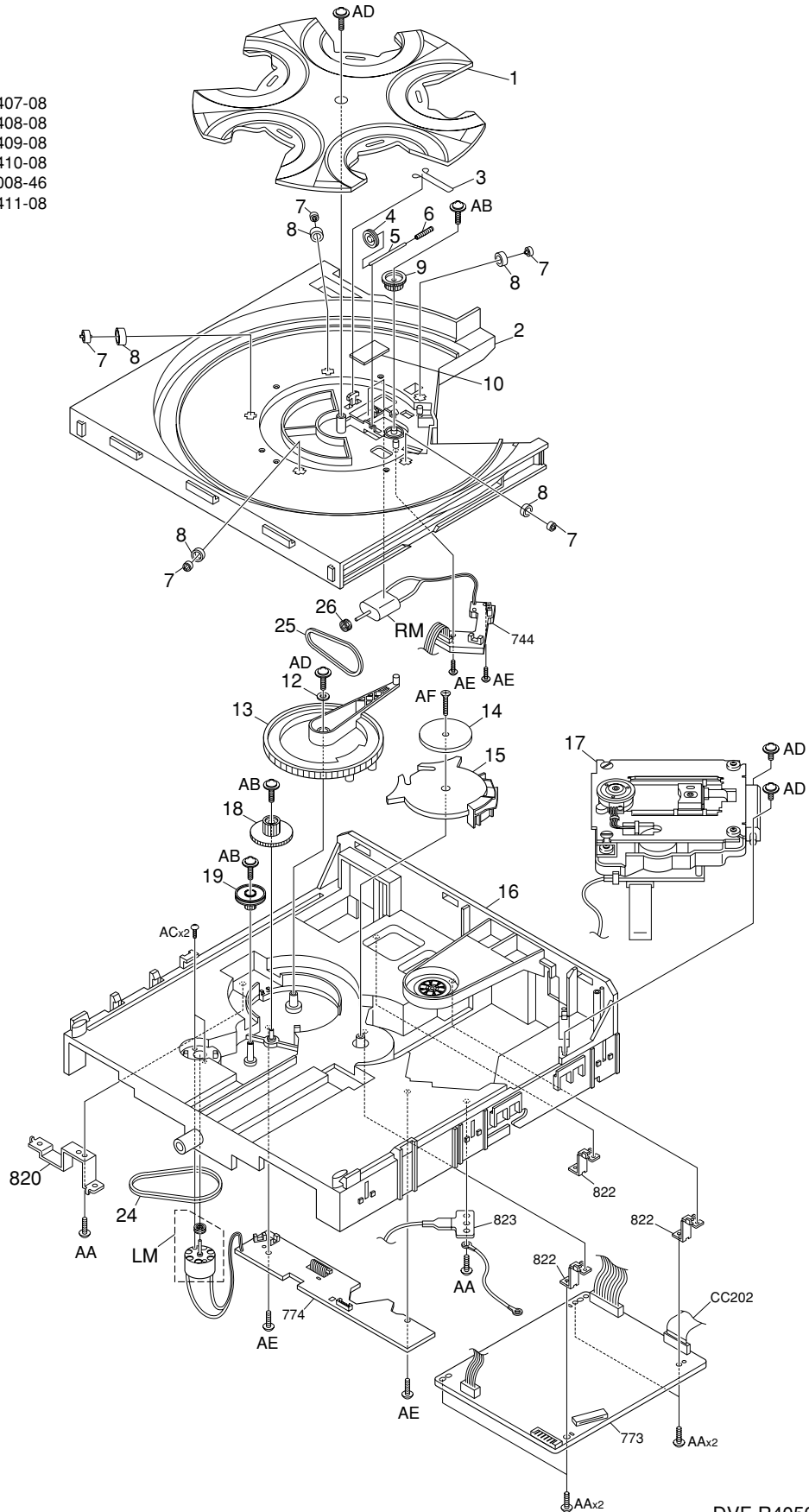
Y22-8580-10

KENWOOD

# DV-505/DVF-4050/-S

## EXPLODED VIEW(MECHANISM)

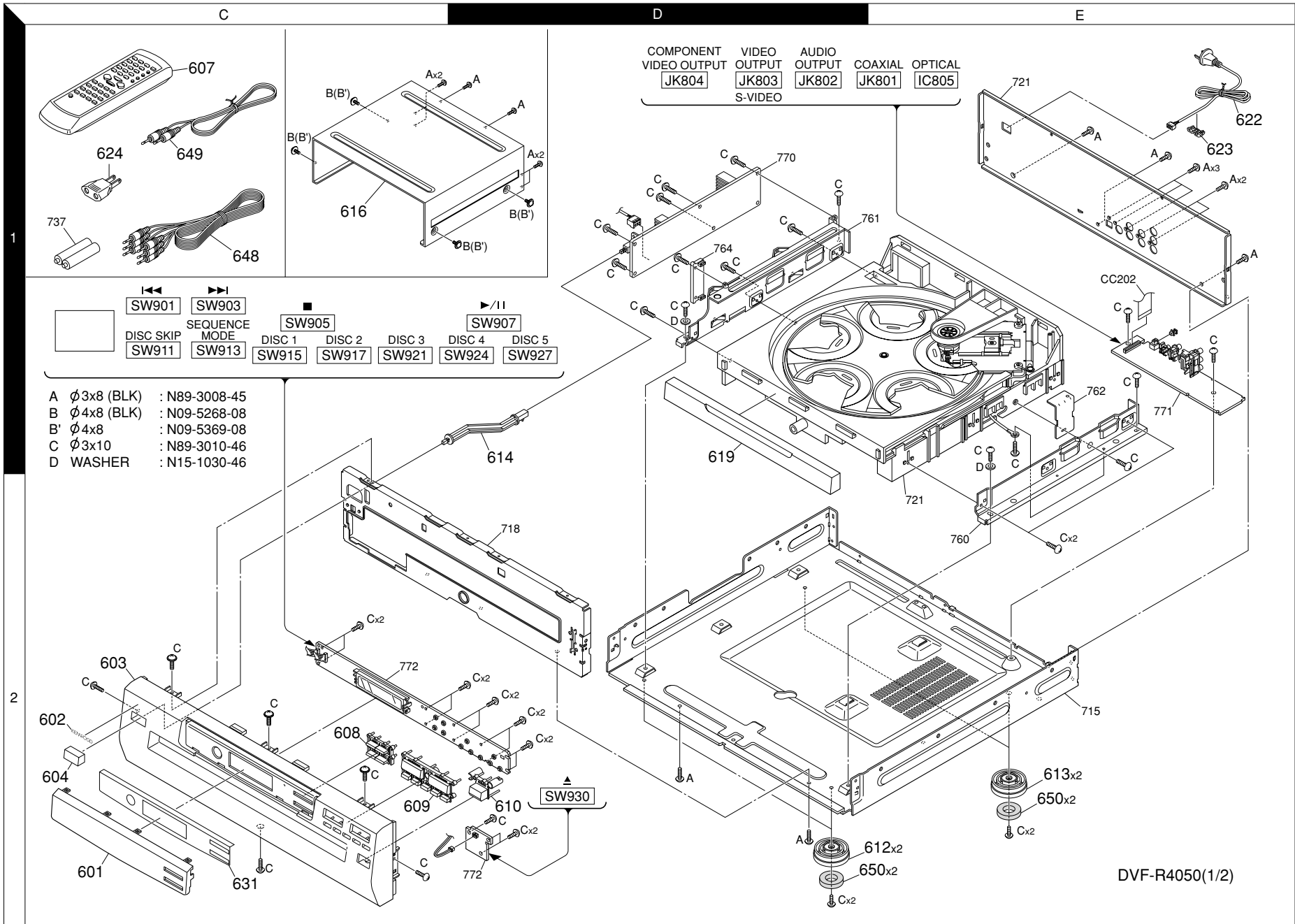
- |    |        |               |
|----|--------|---------------|
| AA | ∅3x10  | : N09-5407-08 |
| AB | ∅3x10  | : N09-5408-08 |
| AC | ∅2.6x4 | : N09-5409-08 |
| AD | ∅3     | : N09-5410-08 |
| AE | ∅3x8   | : N89-3008-46 |
| AF | ∅3x18  | : N09-5411-08 |



DVF-R4050(2/2)

# DV-505/DVF-4050/-S

## EXPLODED VIEW(UNIT)





\* New Parts

Parts without **Parts No.** are not supplied.

Les articles non mentionnés dans le **Parts No.** ne sont pas fournis.

Teile ohne **Parts No.** werden nicht geliefert.



Ref. No	Add-ress	New Parts	Parts No.	Description	Desti-nation	Re-marks
<b>DV-505/DVF-R4050</b>						
601	2C	*	B10-3822-08	WINDOW DV505 J85300035010	KP	
601	2C	*	B10-3823-08	WINDOW DVFR4050J85300035020	EESTTS	
601	2C	*	B10-3823-08	WINDOW DVFR4050J85300035020	YM3	
602	2C	*	B43-0310-04	BADGE AL KENWOJ60550010000		
603	2C	*	A60-2206-08	PANEL FRONT BLAJ85000032010	KPETY	
603	2C	*	A60-2207-08	PANEL FRONT SILJ85000032020	ESTSYS	
603	2C	*	A60-2207-08	PANEL FRONT SILJ85000032020	XM3	
604	2C	*	K27-2475-08	BTN POWER BLACKJ85200155010	KPETY	
604	2C	*	K27-2476-08	BTN POWER SILVEJ85200155020	ESTSYS	
604	2C	*	K27-2476-08	BTN POWER SILVEJ85200155020	XM3	
607	1C	*	A70-1570-08	ASS'Y REMOCON DJ54000002400		
608	2C	*	K27-2477-08	BTN 4KEY BLACK J85200152010	KPETY	
608	2C	*	K27-2478-08	BTN 4KEY SILVERJ85200152020	ESTSYS	
608	2C	*	K27-2478-08	BTN 4KEY SILVERJ85200152020	XM3	
609	2C	*	K27-2479-08	BTN 7KEY BLACK J85200153010	KPETY	
609	2C	*	K27-2480-08	BTN 7KEY SILVERJ85200153020	ESTSYS	
609	2C	*	K27-2480-08	BTN 7KEY SILVERJ85200153020	XM3	
610	2D	*	K27-2473-08	BTN O/C BLACK J85200154010	KPETY	
610	2D	*	K27-2474-08	BTN O/C SILVER J85200154020	ESTSYS	
610	2D	*	K27-2474-08	BTN O/C SILVER J85200154020	XM3	
612	2E	*	J02-1510-08	FOOT KENWOOD DVJ85900505000		
613	2E	*	J02-1529-08	FOOT KENWOOD BLJ85900505020		
614	1D	*	D21-2927-08	SHAFT POWER SW J85820004010	KPETY	
614	1D	*	D21-2928-08	SHAFT POWER SW J85820004020	ESTSYS	
614	1D	*	D21-2928-08	SHAFT POWER SW J85820004020	XM3	
616	1C	*	A01-3854-08	COVER TOP BLACKJ60100004310	KPETY	
616	1C	*	A01-3855-08	COVER TOP SILVEJ60100004320	ESTSYS	
616	1C	*	A01-3855-08	COVER TOP SILVEJ60100004320	XM3	
619	1D	*	A29-1173-08	DOOR TRAY BLACKJ85600023010	KPETY	
619	1D	*	A29-1174-08	DOOR TRAY SILVEJ85600023020	ESTSYS	
619	1D	*	A29-1174-08	DOOR TRAY SILVEJ85600023020	XM3	
622	1E	*	E30-7250-08	WIRE-MCRDM 0.7555190780XX	KPYYS	
622	1E	*	E30-7251-08	WIRE-MCRDM 0.7555190790XX	EESM3	
622	1E	*	E30-7252-08	WIRE-MCRDM 0.7555190800XX	TTS	
622	1E	*	E30-7253-08	WIRE-MCRDM 0.7555190820XX	X	
623	1E		J42-0350-08	BUSHING-AC CORDJ65100000100		
624	1C		E03-0115-05	AC PLUG ADAPTER	M3	
631	2C	*	F19-1125-08	COVER WINDOW DVJ85500014000	ESTSYS	
631	2C	*	F19-1125-08	COVER WINDOW DVJ85500014000	XM3	
648	1C		E30-2990-08	CORD RCA 3P1500J94330001000		
649	1C		E30-7235-08	CORD RCA 1P 010J94310007000		
650	2D,2E	*	J02-1538-08	CUSHION FOOT 20J67200009200		
-		*	B60-5088-08	I/B,EN J90200018610	PEES	
-		*	B60-5089-08	I/B,FR J90200018620	EES	
-		*	B60-5092-08	I/B,GE/NE J90200018650		
-		*	B60-5093-08	I/B,IT/ES J90200018660	EESM3	
-		*	H50-4192-08	BOX OUT DV505 J96000039010	KP	
-		*	H50-4193-08	BOX OUT DVF-R40J96000039020	E	
-		*	H50-4194-08	BOX OUT DVF-R40J96000039030	ES	
-		*	H50-4195-08	BOX OUT DVF-R40J96000039040	T	
-		*	H50-4196-08	BOX OUT DVF-R40J96000039050	TS	
-		*	H50-4197-08	BOX OUT DVF-R40J96000039060	Y	
-		*	H50-4198-08	BOX OUT DVF-R40J96000039070	YS	

L : Scandinavia K : USA P : Canada R : Mexico C : China I : Malaysia  
 Y : PX(Far East,Hawaii) T : England E : Europe G : Germany V : China(Shanghai)  
 Y : AAFES(Europe) X : Australia Q : Russia H : Korea M : Other Areas Δ indicates safety critical components .

\* New Parts

Parts without **Parts No.** are not supplied.

Les articles non mentionnés dans le **Parts No.** ne sont pas fournis.

Teile ohne **Parts No.** werden nicht geliefert.



Ref. No	Add-ress	New Parts	Parts No.	Description	Desti-nation	Re-marks
-		*	H50-4199-08	BOX OUT DVF-R40J96000039080	XM3	
A			N89-3008-45	SCREW 3MM 8MM D55164800XX		
A			N89-3008-45	SCREW-ST 3MM 0655049000XX		
A			N89-3008-45	SCREW-ST 3MM 8M55127120XX	KPETY	
B			N09-5268-08	SCREW-ST 4MM 8M55127090XX		
B'			N09-5369-08	SCREW-ST 4MM 8.55085860XX	ESTSYS	
B'			N09-5369-08	SCREW-ST 4MM 8.55085860XX	X	
C			N89-3010-46	SCREW-ST 3MM 1055127070XX		
D			N15-1030-46	WASHER-SPR 3.3M55127310XX		
<b>POWER SUPPLY</b>						
Δ C1 ,2			C92-0252-08	CERAMIC 0.1UF 275VAC		
Δ C3 ,4			C92-0253-08	CERAMIC 1500PF 400VAC		
C5			C92-0254-08	ELECTRO 47UF 400WV		
C6			C92-0255-08	CERAMIC 2200PF 1KV		
C7			CK45FB1H473K	CERAMIC 0.047UF K		
C8			CE04LW1H470M	ELECTRO 47UF 50WV		
C9			CE04LW1C101M	ELECTRO 100UF 16WV		
C10			CE04LW1H470M	ELECTRO 47UF 50WV		
C11			CE04LW1C101M	ELECTRO 100UF 16WV		
C12			C92-0256-08	CERAMIC 1000PF 1KV		
C13			CE04LW1E221M	ELECTRO 220UF 25WV		
C14			CE04LW1E101M	ELECTRO 100UF 25WV		
C15			CE04LW1C101M	ELECTRO 100UF 16WV		
C16 ,17			CE04LW1A471M	ELECTRO 470UF 10WV		
C18			CE04LW1A102M	ELECTRO 1000UF 10WV		
C19			CE04LW1A471M	ELECTRO 470UF 10WV		
C20			CE04LW1H010M	ELECTRO 1.0UF 50WV		
C21			CE04LW1C101M	ELECTRO 100UF 16WV		
Δ C24			C92-0257-08	CERAMIC 1000PF 400VAC		
Δ F1			F50-0195-08	FUSE CT2A 250VAC		
L1 ,2			L32-1042-08	COIL 150K,CC150B		
L3			L32-1043-08	CHOKE COIL 7UH		
Δ LF1			L79-1288-08	LINE FILTER DY-2030S		
Δ T1		*	L07-3161-08	POWER TRANSFORMER,YST00020		
R1			RS14GB3D154J	FL-PROOF RS 150K J 2W		
R2			RS14GB3A563J	FL-PROOF RS 56K J 1W		
R11			RD14BB2H100J	RD 10 J 1/2W		
R12			RS14GB3A561J	FL-PROOF RS 560 J 1W		
R13			RD14BB2H3R3J	RD 3.3 J 1/2W		
R14			RS14GB3A101J	FL-PROOF RS 100 J 1W		
Δ MSW1		*	S68-0143-08	PUSH SW YSW00001		
Δ D1 -4			1N4007	DIODE		
D5			HER107	DIODE		
D6			1N4937	DIODE		
D7			HER105	DIODE		
D8 ,9			1N4937	DIODE		
D10			SF24	DIODE		
D12			SF24	DIODE		
D13			1N5819	DIODE		
D15			SR204	DIODE		
D17			1N4007	DIODE		
Δ PC1			T95-0184-08	PHOTO COUPLER LTV817B		

L : Scandinavia K : USA P : Canada R : Mexico C : China I : Malaysia  
 Y : PX(Far East,Hawaii) T : England E : Europe G : Germany V : China(Shanghai)  
 Y : AAFES(Europe) X : Australia Q : Russia H : Korea M : Other Areas Δ indicates safety critical components .

# PARTS LIST DV-505/DVF-4050/-S

\* New Parts  
Parts without **Parts No.** are not supplied.  
Les articles non mentionnés dans le **Parts No.** ne sont pas fournis.  
Teile ohne **Parts No.** werden nicht geliefert.

③

Ref. No	Add-ress	New Parts	Parts No.	Description	Desti-nation	Re-marks
TH1			NTC10D7	THERMISTOR		
U1			KAIM0380RB	IC		
U2			KA7809	IC		
U4			KA431AZ	IC		
VR1		*	SVC471D-10A	VARISTOR YVA32110		
ZD1			N5239B	ZENER DIODE		
ZD2			1N5226B	ZENER DIODE		
<b>MAIN</b>						
CC201		*	E35-3211-08	FPC JUMPER 19X 55191150NR		
CC202	3B,1E	*	E35-3212-08	FPC CABLE 19P 1J4112191001X	KPYYSX	
CC202		*	E35-3213-08	FPC CABLE 23P 1J4112231001X	EESTTS	
CN01	3B,1E	*	E35-3214-08	FPC PLUG 23P 1.55124620XX	EESTTS	
CN01		*	E40-8985-08	FPC PLUG 19P 1.55124600XX	KPYYSX	
CP201		*	E35-3215-08	FPC PLUG 19P 1.55124680XX		
JK701		*	E40-8779-08	SCART CONNECTORJ44372100205	EESTTS	
JK801		*	E63-1244-08	JACK RCA 1P O WJ44301000900		
JK802		*	E63-1227-08	JACK RCA 2P,WR,J44302000600		
JK803		*	E68-0018-08	CON DIN SKCT M155191220XX		
JK804			E63-1192-08	JACK RCA 3P,RGBJ44303000200	KPYYSX	
C201,202			CK73GB1E104Z	CHIP C 0.10UF Z		
C201P			CE04LW1A101M	ELECTRO 100UF 10WV		
C203			CK73GB1H103K	CHIP C 0.010UF K		
C204			CE04LW1A101M	ELECTRO 100UF 10WV		
C205			CK73GB1H103K	CHIP C 0.010UF K		
C206			CE04LW1A101M	ELECTRO 100UF 10WV		
C207			CK73GB1E104Z	CHIP C 0.10UF Z		
C208			CK73GB1E104Z	CHIP C 0.10UF Z		
C209			CK73GB1H103K	CHIP C 0.010UF K		
C210			CE04LW1A101M	ELECTRO 100UF 10WV		
C211-214			CC73GCH1H100D	CHIP C 10PF D		
C215			CK73GB1E104Z	CHIP C 0.10UF Z		
C216			CK73GB1H471K	CHIP C 470PF K		
C217-219			CK73GB1E104Z	CHIP C 0.10UF Z		
C220			CK73GB1H103K	CHIP C 0.010UF K		
C220B			CE04LW1A471M	ELECTRO 470UF 10WV		
C220C			CE04LW1A471M	ELECTRO 470UF 10WV		
C220G			CE04LW1A471M	ELECTRO 470UF 10WV		
C220R			CE04LW1A471M	ELECTRO 470UF 10WV		
C220S			CE04LW1A471M	ELECTRO 470UF 10WV		
C220Y			CE04LW1A471M	ELECTRO 470UF 10WV		
C221			CE04LW1A101M	ELECTRO 100UF 10WV		
C221B			CK73GB1H332K	CHIP C 3300PF K		
C221C			CK73GB1H332K	CHIP C 3300PF K		
C221G			CK73GB1H332K	CHIP C 3300PF K		
C221R			CK73GB1H332K	CHIP C 3300PF K		
C221S			CK73GB1H332K	CHIP C 3300PF K		
C221Y			CK73GB1H332K	CHIP C 3300PF K		
C222-225			CK73GB1E104Z	CHIP C 0.10UF Z		
C222B			CK73GB1E104Z	CHIP C 0.10UF Z		
C222C			CK73GB1E104Z	CHIP C 0.10UF Z		
C222G			CK73GB1E104Z	CHIP C 0.10UF Z		
C222R			CK73GB1E104Z	CHIP C 0.10UF Z		
C222S			CK73GB1E104Z	CHIP C 0.10UF Z		
C222Y			CK73GB1E104Z	CHIP C 0.10UF Z		

L : Scandinavia K : USA P : Canada R : Mexico C : China I : Malaysia  
Y : PX(Far East,Hawaii) T : England E : Europe G : Germany V : China(Shanghai)  
Y : AAFES(Europe) X : Australia Q : Russia H : Korea M : Other Areas  $\Delta$  indicates safety critical components .

\* New Parts  
Parts without **Parts No.** are not supplied.  
Les articles non mentionnés dans le **Parts No.** ne sont pas fournis.  
Teile ohne **Parts No.** werden nicht geliefert.

④

Ref. No	Add-ress	New Parts	Parts No.	Description	Desti-nation	Re-marks
C223B			CE04LW1C221M	ELECTRO 220UF 16WV		
C223C			CE04LW1C221M	ELECTRO 220UF 16WV		
C223G			CE04LW1C221M	ELECTRO 220UF 16WV		
C223R			CE04LW1C221M	ELECTRO 220UF 16WV		
C223S			CE04LW1C221M	ELECTRO 220UF 16WV		
C223Y			CE04LW1C221M	ELECTRO 220UF 16WV		
C224B			CK73GB1H391K	CHIP C 390PF K		
C224C			CK73GB1H391K	CHIP C 390PF K		
C224G			CK73GB1H391K	CHIP C 390PF K		
C224R			CK73GB1H391K	CHIP C 390PF K		
C224S			CK73GB1H391K	CHIP C 390PF K		
C224Y			CK73GB1H391K	CHIP C 390PF K		
C225B			CK73GB1H391K	CHIP C 390PF K		
C225C			CK73GB1H391K	CHIP C 390PF K		
C225G			CK73GB1H391K	CHIP C 390PF K		
C225R			CK73GB1H391K	CHIP C 390PF K		
C225S			CK73GB1H391K	CHIP C 390PF K		
C225Y			CK73GB1H391K	CHIP C 390PF K		
C226,227			CC73GCH1H680J	CHIP C 68PF J		
C228-230			CE04LW1C470M	ELECTRO 47UF 16WV		
C232			CE04LW1A101M	ELECTRO 100UF 10WV		
C233			CE04LW0J471M	ELECTRO 470UF 6.3WV		
C234,235			CK73GB1E104Z	CHIP C 0.10UF Z		
C237-241			CC73GCH1H101J	CHIP C 100PF J		
C242-245			CC73GCH1H100D	CHIP C 10PF D		
C301-310			CK73GB1E104Z	CHIP C 0.10UF Z		
C301L			CE04LW1C470M	ELECTRO 47UF 16WV		
C301R			CE04LW1C470M	ELECTRO 47UF 16WV		
C302L			CK73GB1H222K	CHIP C 2200PF K		
C302R			CK73GB1H222K	CHIP C 2200PF K		
C303L			CK73GB1H331K	CHIP C 330PF K		
C303R			CK73GB1H331K	CHIP C 330PF K		
C304L			CK73GB1E104Z	CHIP C 0.10UF Z		
C304R			CK73GB1E104Z	CHIP C 0.10UF Z		
C305L			CE04LW1C470M	ELECTRO 47UF 16WV		
C305R			CE04LW1C470M	ELECTRO 47UF 16WV		
C306L			CE04LW1C470M	ELECTRO 47UF 16WV		
C306R			CE04LW1C470M	ELECTRO 47UF 16WV		
C307L			CC73GCH1H101J	CHIP C 100PF J		
C307R			CC73GCH1H101J	CHIP C 100PF J		
C311			CE04LW1A101M	ELECTRO 100UF 10WV		
C312			CK73GB1E104Z	CHIP C 0.10UF Z		
C321			CC73GCH1H100D	CHIP C 10PF D		
C322			CK73GB1H561K	CHIP C 560PF K		
C323			CE04LW1C470M	ELECTRO 47UF 16WV		
C324			CK73GB1H561K	CHIP C 560PF K		
C325			CE04LW1A102M	ELECTRO 1000UF 10WV		
C326			CK73GB1H561K	CHIP C 560PF K		
C327			CE04LW1C100M	ELECTRO 10UF 16WV		
C328,329			CC73GCH1H100D	CHIP C 10PF D		
C330			CE04KW0J331M	ELECTRO 330UF 6.3WV		
C331			CE04LW0J102M	ELECTRO 1000UF 6.3WV		
C401-403			CK73GB1E104Z	CHIP C 0.10UF Z		
C404,405			CK73GB1H102K	CHIP C 1000PF K		
C406			CE04LW1A101M	ELECTRO 100UF 10WV		

L : Scandinavia K : USA P : Canada R : Mexico C : China I : Malaysia  
Y : PX(Far East,Hawaii) T : England E : Europe G : Germany V : China(Shanghai)  
Y : AAFES(Europe) X : Australia Q : Russia H : Korea M : Other Areas  $\Delta$  indicates safety critical components .

\* New Parts

Parts without **Parts No.** are not supplied.  
Les articles non mentionnés dans le **Parts No.** ne sont pas fournis.  
Teile ohne **Parts No.** werden nicht geliefert.

5

Ref. No	Add-ress	New Parts	Parts No.	Description	Desti-nation	Re-marks
C501			CC73GCH1H200J	CHIP C 20PF	J	
C502,503			CC73GCH1H220J	CHIP C 22PF	J	KPYYSX
C502,503			CC73GCH1H240G	CHIP C 24PF	G	EESTTS
C504			CK73GB1E104Z	CHIP C 0.10UF	Z	
C505			CE04LW0J471M	ELECTRO 470UF	6.3WV	
C703			CE04LW1A101M	ELECTRO 100UF	10WV	EESTTS
C713,714			CE04LW1H100M	ELECTRO 100UF	50WV	EESTTS
C715			CE04LW1A101M	ELECTRO 100UF	10WV	EESTTS
C716-718			CC73FCH1H101J	CHIP C 100PF	J	EESTTS
C719			CE04LW1A101M	ELECTRO 100UF	10WV	EESTTS
C720			CE04LW0J471M	ELECTRO 470UF	6.3WV	
C801			CK73FB1E104Z	CHIP C 0.10UF	Z	
C802			CE04LW1C470M	ELECTRO 47UF	16WV	
C803			CK73FB1H103K	CHIP C 0.010UF	K	
C804			CC73FCH1H101J	CHIP C 100PF	J	
C821			CK73FB1E104Z	CHIP C 0.10UF	Z	EESTTS
C822			CE04LW0J221M	ELECTRO 220UF	6.3WV	EESTTS
C901			CE04LW1C470M	ELECTRO 47UF	16WV	
C903-905			CK73GB1E104Z	CHIP C 0.10UF	Z	
C906			CE04LW0J101M	ELECTRO 100UF	6.3WV	
C907			CE04LW0J471M	ELECTRO 470UF	6.3WV	
C908			CK73GB1E104Z	CHIP C 0.10UF	Z	
C909			CE04LW1H0R1M	ELECTRO 0.1UF	50WV	
C911			CK73GB1E104Z	CHIP C 0.10UF	Z	
C916			CE04LW0J471M	ELECTRO 470UF	6.3WV	
L201-203			L32-1046-08	COIL CHIP 2U2H 1404174091		
L204-206			L32-1047-08	BEAD CHIP/TAP F5512667050		
L208			RK73GB1J000J	CHIP R 0	J	1/16W
L209			L32-1046-08	LF-SMD 2U2H +101404174091		
L210			L32-1047-08	BEAD CHIP/TAP F5512667050		
L211			L32-1045-08	BEAD CHIP/TAP F5512671050		
L220B			L32-1048-08	COIL CHIP 2U7H 1404175091		
L220C			L32-1048-08	COIL CHIP 2U7H 1404175091		
L220G			L32-1048-08	COIL CHIP 2U7H 1404175091		
L220R			L32-1048-08	COIL CHIP 2U7H 1404175091		
L220S			L32-1048-08	COIL CHIP 2U7H 1404175091		
L220Y			L32-1048-08	COIL CHIP 2U7H 1404175091		
L301			RK73GB1J000J	CHIP R 0	J	1/16W
L302			L32-1046-08	COIL CHIP 2U2H 1404174091		
L501			L32-1047-08	BEAD CHIP/TAP F5512667050		
L703-706			RK73FB2A000J	CHIP R 0	J	1/10W
L901			L90-0371-08	COIL AX/TAP 22uJ2616222026X		
L902			RK73GB1J000J	CHIP R 0	J	1/16W
L903,904			RD14BB2E100J	RD 10	J	1/4W
L905			RK73GB1J000J	CHIP R 0	J	1/16W
L909			RK73GB1J000J	CHIP R 0	J	1/16W
L912-914			RK73GB1J000J	CHIP R 0	J	1/16W
X501			L77-2354-08	CRYSTAL 27.000M55128980NR		
X901			L77-2355-08	RESONATOR 10.0M55126140NR		
J201-204			RK73GB1J000J	CHIP R 0	J	1/16W
J301			RK73GB1J000J	CHIP R 0	J	1/16W
J914			RK73GB1J000J	CHIP R 0	J	1/16W
R201-204			RK73GB1J101J	CHIP R 100	J	1/16W
R201P			RK73GB1J000J	CHIP R 0	J	1/16W

L : Scandinavia K : USA P : Canada R : Mexico C : China I : Malaysia  
Y : PX(Far East,Hawaii) T : England E : Europe G : Germany V : China(Shanghai)  
Y : AAFES(Europe) X : Australia Q : Russia H : Korea M : Other Areas  $\Delta$  indicates safety critical components .

\* New Parts

Parts without **Parts No.** are not supplied.  
Les articles non mentionnés dans le **Parts No.** ne sont pas fournis.  
Teile ohne **Parts No.** werden nicht geliefert.

5

Ref. No	Add-ress	New Parts	Parts No.	Description	Desti-nation	Re-marks
R205			RK73GB1J103J	CHIP R 10K	J	1/16W
R205			RK73GB1J153J	CHIP R 15K	J	1/16W
R206B			RK73GB1J201J	CHIP R 200	J	1/16W
R206B			RK73GB1J221J	CHIP R 220	J	1/16W
R207G			RK73GB1J201J	CHIP R 200	J	1/16W
R207G			RK73GB1J221J	CHIP R 220	J	1/16W
R208R			RK73GB1J201J	CHIP R 200	J	1/16W
R208R			RK73GB1J221J	CHIP R 220	J	1/16W
R209			RK73GB1J153J	CHIP R 15K	J	1/16W
R210Y			RK73GB1J201J	CHIP R 200	J	1/16W
R210Y			RK73GB1J221J	CHIP R 220	J	1/16W
R211C			RK73GB1J201J	CHIP R 200	J	1/16W
R211C			RK73GB1J221J	CHIP R 220	J	1/16W
R212S			RK73GB1J201J	CHIP R 200	J	1/16W
R212S			RK73GB1J221J	CHIP R 220	J	1/16W
R213-215			RK73GB1J470J	CHIP R 47	J	1/16W
R216			RK73GB1J472J	CHIP R 4.7K	J	1/16W
R217S			RK73GB1J100J	CHIP R 10	J	1/16W
R218C			RK73GB1J100J	CHIP R 10	J	1/16W
R219Y			RK73GB1J100J	CHIP R 10	J	1/16W
R220B			RK73GB1J100J	CHIP R 10	J	1/16W
R220G			RK73GB1J100J	CHIP R 10	J	1/16W
R220R			RK73GB1J100J	CHIP R 10	J	1/16W
R221			RK73GB1J101J	CHIP R 100	J	1/16W
R221B			RK73GB1J821J	CHIP R 820	J	1/16W
R221C			RK73GB1J821J	CHIP R 820	J	1/16W
R221G			RK73GB1J821J	CHIP R 820	J	1/16W
R221R			RK73GB1J821J	CHIP R 820	J	1/16W
R221S			RK73GB1J821J	CHIP R 820	J	1/16W
R221Y			RK73GB1J821J	CHIP R 820	J	1/16W
R222			RK73GB1J470J	CHIP R 47	J	1/16W
R222B			RK73GB1J222J	CHIP R 2.2K	J	1/16W
R222C			RK73GB1J222J	CHIP R 2.2K	J	1/16W
R222G			RK73GB1J222J	CHIP R 2.2K	J	1/16W
R222R			RK73GB1J222J	CHIP R 2.2K	J	1/16W
R222S			RK73GB1J222J	CHIP R 2.2K	J	1/16W
R222Y			RK73GB1J222J	CHIP R 2.2K	J	1/16W
R223			RK73GB1J470J	CHIP R 47	J	1/16W
R223B			RK73GB1J750J	CHIP R 75	J	1/16W
R223C			RK73GB1J750J	CHIP R 75	J	1/16W
R223G			RK73GB1J750J	CHIP R 75	J	1/16W
R223R			RK73GB1J750J	CHIP R 75	J	1/16W
R223S			RK73GB1J750J	CHIP R 75	J	1/16W
R223Y			RK73GB1J750J	CHIP R 75	J	1/16W
R224B			RK73GB1J120J	CHIP R 12	J	1/16W
R224C			RK73GB1J120J	CHIP R 12	J	1/16W
R224G			RK73GB1J120J	CHIP R 12	J	1/16W
R224R			RK73GB1J120J	CHIP R 12	J	1/16W
R224S			RK73GB1J120J	CHIP R 12	J	1/16W
R224Y			RK73GB1J120J	CHIP R 12	J	1/16W
R225B			RK73GB1J8R2J	CHIP R 8.2	J	1/16W
R225C			RK73GB1J8R2J	CHIP R 8.2	J	1/16W
R225G			RK73GB1J8R2J	CHIP R 8.2	J	1/16W
R225R			RK73GB1J8R2J	CHIP R 8.2	J	1/16W
R225S			RK73GB1J8R2J	CHIP R 8.2	J	1/16W

L : Scandinavia K : USA P : Canada R : Mexico C : China I : Malaysia  
Y : PX(Far East,Hawaii) T : England E : Europe G : Germany V : China(Shanghai)  
Y : AAFES(Europe) X : Australia Q : Russia H : Korea M : Other Areas  $\Delta$  indicates safety critical components .

PARTS LIST DV-505/DVF-4050/-S

\* New Parts  
Parts without **Parts No.** are not supplied.  
Les articles non mentionnés dans le **Parts No.** ne sont pas fournis.  
Teile ohne **Parts No.** werden nicht geliefert.

7

Ref. No	Add-ress	New Parts	Parts No.	Description	Desti-nation	Re-marks
R225Y			RK73GB1J8R2J	CHIP R	8.2	J 1/16W
R226B			RK73GB1J100J	CHIP R	10	J 1/16W
R226C			RK73GB1J100J	CHIP R	10	J 1/16W
R226G			RK73GB1J100J	CHIP R	10	J 1/16W
R226R			RK73GB1J100J	CHIP R	10	J 1/16W
R226S			RK73GB1J100J	CHIP R	10	J 1/16W
R226Y			RK73GB1J100J	CHIP R	10	J 1/16W
R227B			RK73GB1J121J	CHIP R	120	J 1/16W
R227C			RK73GB1J121J	CHIP R	120	J 1/16W
R227G			RK73GB1J121J	CHIP R	120	J 1/16W
R227R			RK73GB1J121J	CHIP R	120	J 1/16W
R227S			RK73GB1J121J	CHIP R	120	J 1/16W
R227Y			RK73GB1J121J	CHIP R	120	J 1/16W
R228			RK73GB1J102J	CHIP R	1.0K	J 1/16W
R230			RK73GB1J000J	CHIP R	0	J 1/16W
R231,232			RK73GB1J470J	CHIP R	47	J 1/16W
R233			RK73GB1J101J	CHIP R	100	J 1/16W
R234			RK73GB1J470J	CHIP R	47	J 1/16W
R236			RK73GB1J473J	CHIP R	47K	J 1/16W
R237-241			RK73GB1J470J	CHIP R	47	J 1/16W
R242-245			RK73GB1J103J	CHIP R	10K	J 1/16W
R246			RK73GB1J472J	CHIP R	4.7K	J 1/16W
R247			RK73GB1J472J	CHIP R	4.7K	J 1/16W
R248			RK73GB1J103J	CHIP R	10K	J 1/16W
R249			RK73GB1J000J	CHIP R	0	J 1/16W
R250			RK73GB1J102J	CHIP R	1.0K	J 1/16W
R251			RK73GB1J103J	CHIP R	10K	J 1/16W
R252			RK73GB1J470J	CHIP R	47	J 1/16W
R253			RK73GB1J103J	CHIP R	10K	J 1/16W
R254			RK73GB1J100J	CHIP R	10	J 1/16W
R255			RK73GB1J103J	CHIP R	10K	J 1/16W
R256			RK73GB1J470J	CHIP R	47	J 1/16W
R257			RK73GB1J102J	CHIP R	1.0K	J 1/16W
R262,263			RK73GB1J470J	CHIP R	47	J 1/16W
R264,265			RK73GB1J750J	CHIP R	75	J 1/16W
R266			RK73GB1J100J	CHIP R	10	J 1/16W
R267,268			RK73GB1J470J	CHIP R	47	J 1/16W
R269,270			RK73GB1J182J	CHIP R	1.8K	J 1/16W
R271			RK73GB1J472J	CHIP R	4.7K	J 1/16W
R273,274			RK73GB1J101J	CHIP R	100	J 1/16W
R279			RK73GB1J000J	CHIP R	0	J 1/16W
R280			RK73GB1J103J	CHIP R	10K	J 1/16W
R281			RK73GB1J103J	CHIP R	10K	J 1/16W
R282,283			RK73GB1J470J	CHIP R	47	J 1/16W
R285			RK73GB1J470J	CHIP R	47	J 1/16W
R288			RK73GB1J103J	CHIP R	10K	J 1/16W
R289,290			RK73GB1J470J	CHIP R	47	J 1/16W
R291,292			RK73GB1J470J	CHIP R	47	J 1/16W
R298			RK73GB1J103J	CHIP R	10K	J 1/16W
R301-309			RK73GB1J101J	CHIP R	100	J 1/16W
R301L			RK73GB1J473J	CHIP R	47K	J 1/16W
R301R			RK73GB1J473J	CHIP R	47K	J 1/16W
R302L			RK73GB1J562J	CHIP R	5.6K	J 1/16W
R302R			RK73GB1J562J	CHIP R	5.6K	J 1/16W
R303L			RK73GB1J392J	CHIP R	3.9K	J 1/16W

L : Scandinavia K : USA P : Canada R : Mexico C : China I : Malaysia  
Y : PX(Far East,Hawaii) T : England E : Europe G : Germany V : China(Shanghai)  
Y : AAFES(Europe) X : Australia Q : Russia H : Korea M : Other Areas  $\Delta$  indicates safety critical components.

\* New Parts  
Parts without **Parts No.** are not supplied.  
Les articles non mentionnés dans le **Parts No.** ne sont pas fournis.  
Teile ohne **Parts No.** werden nicht geliefert.

8

Ref. No	Add-ress	New Parts	Parts No.	Description	Desti-nation	Re-marks
R303R			RK73GB1J392J	CHIP R	3.9K	J 1/16W
R304L			RK73GB1J912J	CHIP R	9.1K	J 1/16W
R304R			RK73GB1J912J	CHIP R	9.1K	J 1/16W
R307L			RK73GB1J331J	CHIP R	330	J 1/16W
R307R			RK73GB1J101J	CHIP R	100	J 1/16W
R308L			RK73GB1J104J	CHIP R	100K	J 1/16W
R308R			RK73GB1J104J	CHIP R	100K	J 1/16W
R309L			RK73GB1J101J	CHIP R	100	J 1/16W
R309R			RK73GB1J101J	CHIP R	100	J 1/16W
R310-313			RK73GB1J472J	CHIP R	4.7K	J 1/16W
R314			RK73GB1J000J	CHIP R	0	J 1/16W
R315			RK73GB1J473J	CHIP R	47K	J 1/16W
R321			RK73GB1J330J	CHIP R	33	J 1/16W
R322			RK73GB1J000J	CHIP R	0	J 1/16W
R323			RK73GB1J471J	CHIP R	470	J 1/16W
R324			RK73GB1J184J	CHIP R	180K	J 1/16W
R401-404			RK73GB1J470J	CHIP R	47	J 1/16W
R405,406			RK73GB1J103J	CHIP R	10K	J 1/16W
R407-410			RK73GB1J470J	CHIP R	47	J 1/16W
R413			RK73GB1J473J	CHIP R	47K	J 1/16W
R415			L32-1047-08	BEAD CHIP/TAP F5512667050		
R421-428			RK73GB1J470J	CHIP R	47	J 1/16W
R429-436			RK73GB1J473J	CHIP R	47K	J 1/16W
R437			RK73GB1J000J	CHIP R	0	J 1/16W
R438			RK73GB1J100J	CHIP R	10	J 1/16W
R501			RK73GB1J101J	CHIP R	100	J 1/16W
R502			RK73GB1J560J	CHIP R	56	J 1/16W
R503			RK73GB1J105J	CHIP R	1.0M	J 1/16W
R701,702			RK73FB2A101J	CHIP R	100	J 1/10W
R705			RK73FB2A750J	CHIP R	75	J 1/10W
R708,709			RK73FB2A102J	CHIP R	1.0K	J 1/10W
R714-716			RK73FB2A102J	CHIP R	1.0K	J 1/10W
R717-722			RK73FB2A390J	CHIP R	39	J 1/10W
R723			RK73FB2A102J	CHIP R	1.0K	J 1/10W
R724			RK73FB2A181J	CHIP R	180	J 1/10W
R730			RK73FB2A101J	CHIP R	100	J 1/10W
R731			RK73FB2A390J	CHIP R	39	J 1/10W
R801			RK73FB2A101J	CHIP R	100	J 1/10W
R802			RK73FB2A000J	CHIP R	0	J 1/10W
R803			RK73FB2A472J	CHIP R	4.7K	J 1/10W
R804			RK73FB2A100J	CHIP R	10	J 1/10W
R805			RK73FB2A181J	CHIP R	180	J 1/10W
R806			RK73FB2A101J	CHIP R	100	J 1/10W
R807,808			RK73FB2A000J	CHIP R	0	J 1/10W
R815			RK73FB2A000J	CHIP R	0	J 1/10W
R827L			RK73FB2A000J	CHIP R	0	J 1/10W
R827R			RK73FB2A000J	CHIP R	0	J 1/10W
R829			RK73FB2A000J	CHIP R	0	J 1/10W
R864			RK73FB2A471J	CHIP R	470	J 1/10W
R865			RK73FB2A750J	CHIP R	75	J 1/10W
R872,873			L32-1046-08	BEAD CHIP/TAP F5512671050		
R874			RK73FB2A000J	CHIP R	0	J 1/10W
R875			L32-1046-08	BEAD CHIP/TAP F5512671050		
R876,877			RK73FB2A000J	CHIP R	0	J 1/10W
R901			RK73GB1J101J	CHIP R	100	J 1/16W

L : Scandinavia K : USA P : Canada R : Mexico C : China I : Malaysia  
Y : PX(Far East,Hawaii) T : England E : Europe G : Germany V : China(Shanghai)  
Y : AAFES(Europe) X : Australia Q : Russia H : Korea M : Other Areas  $\Delta$  indicates safety critical components.

## PARTS LIST

## DV-505/DVF-4050/-S

\* New Parts

Parts without **Parts No.** are not supplied.  
Les articles non mentionnés dans le **Parts No.** ne sont pas fournis.  
Teile ohne **Parts No.** werden nicht geliefert.



Ref. No	Address	New Parts	Parts No.	Description	Destination	Remarks
R902			RK73GB1J103J	CHIP R 10K J 1/16W		
R911			RK73GB1J472J	CHIP R 4.7K J 1/16W		
R912			RK73GB1J103J	CHIP R 10K J 1/16W		
R913			RK73GB1J753J	CHIP R 75K J 1/16W		
R921			RK73GB1J472J	CHIP R 4.7K J 1/16W		
R922			RK73GB1J103J	CHIP R 10K J 1/16W		
R923			RK73GB1J753J	CHIP R 75K J 1/16W		
R926			RK73GB1J473J	CHIP R 47K J 1/16W		
R927			RK73GB1J223J	CHIP R 22K J 1/16W		
R931			RK73GB1J472J	CHIP R 4.7K J 1/16W		
R932			RK73GB1J103J	CHIP R 10K J 1/16W		
R933			RK73GB1J753J	CHIP R 75K J 1/16W		
R938-940			RK73GB1J103J	CHIP R 10K J 1/16W		
R943			RK73FB2A473J	CHIP R 47K J 1/10W		
R945			RK73GB1J000J	CHIP R 0 J 1/16W	KPYYS	
R945			RK73GB1J122J	CHIP R 1.2K J 1/16W	EESTTS	
R945			RK73GB1J682J	CHIP R 6.8K J 1/16W	X	
R946			RK73GB1J103J	CHIP R 10K J 1/16W		
R950			RK73GB1J100J	CHIP R 10 J 1/16W		
RA301-307		*	R92-1333-08	RES CHIP/TAP,4A55129820NR		
RA401-408		*	R92-1333-08	RES CHIP/TAP,4A55129820NR		
SW901			S70-0092-08	SWITACT HOR 50M20404680NR		
SW903			S70-0092-08	SWITACT HOR 50M20404680NR		
SW905			S70-0092-08	SWITACT HOR 50M20404680NR		
SW907			S70-0092-08	SWITACT HOR 50M20404680NR		
SW911			S70-0092-08	SWITACT HOR 50M20404680NR		
SW913			S70-0092-08	SWITACT HOR 50M20404680NR		
SW915			S70-0092-08	SWITACT HOR 50M20404680NR		
SW917			S70-0092-08	SWITACT HOR 50M20404680NR		
SW921			S70-0092-08	SWITACT HOR 50M20404680NR		
SW924			S70-0092-08	SWITACT HOR 50M20404680NR		
SW927			S70-0092-08	SWITACT HOR 50M20404680NR		
SW930			S70-0092-08	SWITACT HOR 50M20404680NR		
D301			UD22.2B	D-ZENER CHIP/TAJ2242422514X		
D303			1SS355	DIODE CHIP 1SS32049651091		
D701			1SS355	DIODE CHIP 1SS32049651091	EESTTS	
D702			ZNR5V1B0.2W	D-CHIP ZENER 5VJ2242451514X	EESTTS	
D705-710			ZNR5V1B0.2W	D-CHIP ZENER 5VJ2242451514X	EESTTS	
D711			1N4148	DIODE AX/TAP, S7043654016		
D904			1N4148	DIODE AX/TAP, S7043654016		
D906			RB501V-40	DIODE SCHOTTKY J2242510011X		
FL901		*	HNV-06SS75	DISPLAY HNV-06S55155560NR		
IC21P		*	KIA7806	IC REG KIA7806A20361320NR		
IC201			STI5519	IC DECODER STI555130350NR		
IC202			M24C02WMN6	IC EEPROM M24C20940740NR		
IC301			HY57V651620	IC SDRAM HY57V655156290NR		
IC302			PCM1748KE	IC DAC PCM1748K55156030NR		
IC303			BA4560F	IC OPAMP BA456055128990NR		
IC401		*	SST39VF800505E	ICFLASH SST39VF55177660NR	EESTTS	
IC401		*	SST39VF800505K	ICFLASH SST39VF55177660NR	KPYYS	
IC401		*	SST39VF800505X	ICFLASH SST39VF55177660NR	XM3	
IC501		*	M74HCU04M1R	IC HEX INVERTER55133310NR		
IC805		*	GP1F32T	FIBER OPT GP1F3J2123829001X		
IC901		*	CXP825P400-1	IC-MICROCONT CX55156830NR		
IC902		*	KIA7045P	IC-REGNEGFCD KI55191090NR		

L: Scandinavia K: USA P: Canada R: Mexico C: China I: Malaysia  
 Y: PX(Far East,Hawaii) T: England E: Europe G: Germany V: China(Shanghai)  
 Y: AAFES(Europe) X: Australia Q: Russia H: Korea M: Other Areas  $\Delta$  indicates safety critical components.

\* New Parts

Parts without **Parts No.** are not supplied.  
Les articles non mentionnés dans le **Parts No.** ne sont pas fournis.  
Teile ohne **Parts No.** werden nicht geliefert.



Ref. No	Address	New Parts	Parts No.	Description	Destination	Remarks
Q201-203			KTC3875S	TR KTC3875S SOT2097046092		
Q220B			KTN2907	TR PNP KTN2907A5513869056		
Q220C			KTN2907	TR PNP KTN2907A5513869056		
Q220G			KTN2907	TR PNP KTN2907A5513869056		
Q220R			KTN2907	TR PNP KTN2907A5513869056		
Q220S			KTN2907	TR PNP KTN2907A5513869056		
Q220Y			KTN2907	TR PNP KTN2907A5513869056		
Q221B			KTD1304	TR NPN KTD1304 5513871092		
Q221C			KTD1304	TR NPN KTD1304 5513871092		
Q221G			KTD1304	TR NPN KTD1304 5513871092		
Q221R			KTD1304	TR NPN KTD1304 5513871092		
Q221S			KTD1304	TR NPN KTD1304 5513871092		
Q221Y			KTD1304	TR NPN KTD1304 5513871092		
Q301			DTC114YKA	TR NPN DTC114YK5513318092		
Q301L		*	DTC323T	TR CHIP NPN DTC5503943092		
Q301R		*	DTC323T	TR CHIP NPN DTC5503943092		
Q302L			DTA114YKA	TR CHIP PNP DTA5513319092		
Q302R			DTA114YKA	TR CHIP PNP DTA5513319092		
Q701			KTC3875S	TR KTC3875S SOT2097046092	EESTTS	
Q702			KRC107S	TR CHIP NPN KRC5505124092	EESTTS	
Q704			KRC107S	TR CHIP NPN KRC5505124092	EESTTS	
Q801			KTC3875S	TR KTC3875S SOT2097046092		
Q802			KTA1504S	TR CHIP PNP KTA2097048092		
Q815			KTC3875S	TR KTC3875S SOT2097046092	EESTTS	
RM901			W02-2801-08	RMC SENSOR NUL6J2411120014X		
<b>MECHANISM</b>						
1	1B	*	J99-0838-08	AC PLASTIC PLAT55020070XX		
2	1B	*	J99-0839-08	AC PLASTIC DRAW55020080XX		
3	1B	*	G02-1745-08	AC SPRING CLIP 20712060XX		
4	1B	*	D15-0448-08	AC PLASTIC PULL20711410XX		
5	1B	*	D21-2929-08	AC METAL SHAFT 20711380XX		
6	1B	*	D13-2586-08	AC MLD GEAR WOR20710170XX		
7	1A,1B	*	D14-0827-08	AC PLASTIC ROLL20712170XX		
8	1A,1B	*	D14-0819-08	AC RUBBER ROLLE20712120XX		
9	1B	*	D13-2587-08	AC MLD GEAR HEL20710180XX		
10	1B	*	G10-0597-08	FELT BK 30.0MM 20634190XX		
12	2A	*	N19-1530-08	WASHER-SPR 8.0M55190760XX		
13	2A	*	D13-2588-08	AC MLD GEAR MAI55020110XX		
14	2B	*	N19-1529-08	WASHER 55MM 55190600XX		
15	2B	*	D12-0165-08	AC PLASTIC CAM 20712230XX		
16	2B	*	A10-3573-08	AC PLASTIC BASE55020090XX		
17	2B	*	D40-1770-08	OK KIT TVK 15-110733290XX		
18	2A	*	D13-2589-08	AC MLD GEAR DRI20712240XX		
19	2A	*	D13-2590-08	AC MLD GEAR PUL20712250XX		
24	3A	*	D16-0785-08	AC RUBBER BELT 20712270XX		
25	2A	*	D16-0784-08	AC RUBBER BELT 20710160XX		
26	2A	*	D16-0783-08	AC RAW WHEEL B20584560XX		
AA		*	N09-5407-08	SCREW-ST 3MM 1020692310XX		
AB		*	N09-5408-08	SCREW-ST 3MM 1020692300XX		
AC		*	N09-5409-08	SCREW 2.6MM 4MM20349530XX		
AD		*	N09-5410-08	SCREW-SPEC 3MM 20366370XX		
AE		*	N89-3008-46	SCREW-ST 3MM 0820349380XX		
AF		*	N09-5411-08	SCREW 3*18 J80200031820		
LM	3A	*	T42-1116-08	AD ASY MOTOR DC20581800XX		
RM	2B	*	T42-1121-08	AD ASY MOTOR DC20581820XX		

L: Scandinavia K: USA P: Canada R: Mexico C: China I: Malaysia  
 Y: PX(Far East,Hawaii) T: England E: Europe G: Germany V: China(Shanghai)  
 Y: AAFES(Europe) X: Australia Q: Russia H: Korea M: Other Areas  $\Delta$  indicates safety critical components.

PARTS LIST

DV-505/DVF-4050/-S

# DV-505/DVF-4050/-S

## PARTS LIST

HOW TO READ THE PARTS LIST

ABBREVIATION OF MODEL AND MASS PRODUCTION'S DESTINATIONS

<i>MODEL</i>	<i>ABB.</i>	<i>Australia</i>	<i>Canada</i>	<i>China</i>	<i>England</i>	<i>Europe</i>	<i>Germany</i>	<i>Korea</i>
<i>DV-505</i>	-	-	-	-	-	-	-	-
<i>DVF-4050</i>	-	-	-	-	T	E	-	-
<i>DVF-4050-S</i>	-	X	-	-	TS	ES	-	-
<i>MODEL</i>	<i>ABB.</i>	<i>Mexico</i>	<i>PX/AAFES</i>	<i>Russia</i>	<i>Scandinavia</i>	<i>Shanghai</i>	<i>USA</i>	<i>Other area</i>
<i>DV-505</i>	-	-	-	-	-	-	K	-
<i>DVF-4050</i>	-	-	Y	-	-	-	-	-
<i>DVF-4050-S</i>	-	-	YS	-	-	-	-	-

# DV-505/DVF-4050/-S

## SPECIFICATIONS

### [Type]

System ..... DVD video player system  
Signal read system ..... Semiconductor laser

### [D/A Conversion Section]

D/A conversion ..... 24 Bit  
Oversampling ..... 8 fs (Sampling frequency; 44.1, 48 kHz)  
4 fs (Sampling frequency; 96 kHz)

### [Audio section]

Frequency response  
Sampling frequency ; 44.1 kHz ..... 4 Hz ~ 20 kHz  
Sampling frequency ; 48 kHz ..... 4 Hz ~ 22 kHz  
Sampling frequency ; 96 kHz ..... 4 Hz ~ 42 kHz  
Signal to noise ratio ..... More than 98 dB  
Dynamic range ..... More than 95 dB  
Total harmonic distortion ..... Less than 0.005 % (1 kHz)  
Channel separation ..... More than 95 dB (1 kHz,)  
Wow and flutter ..... Below measurable limit  
Analog output level/impedance ..... 2 V / 1 k $\Omega$   
Digital output level/impedance  
COAXIAL ..... 0.5 Vp-p / 75  $\Omega$   
OPTICAL ..... -21 dBm ~ -15 dBm (Wave length 660 nm)

### [Video Section]

Video output format ..... NTSC/PAL  
Video compression  
DVD ..... MPEG-2  
Composite video output level  
..... 1 Vp-p (75  $\Omega$  load, sync. negative)  
S-video output level  
(Y-signal) ..... 1 Vp-p (75  $\Omega$  load, sync. negative)  
(C-signal)  
NTSC ..... 0.286 Vp-p (75  $\Omega$ )  
PAL ..... 0.300 Vp-p (75  $\Omega$ )  
Horizontal resolution ..... More than 480 lines  
Video signal to noise ratio ..... More than 60 dB

### [General]

Power consumption ..... 20 W  
Dimensions ..... W:440 mm (17-5/16")  
H: 127 mm(5")  
D: 440 mm (17-5/16")  
Weight (net) ..... 6.8 kg (15.0 lb)



KENWOOD follows a policy of continuous advancements in development. For this reason specifications may be changed without notice.

- Sufficient performance may not be exhibited at extremely cold locations (Where water freezes).

### Note:

Component and circuit are subject to modification to insure best operation under differing local conditions. This manual is based on Europe (E) standard, and provides information on regional circuit modification through use of alternate schematic diagrams, and information on regional component variations through use of parts list.

## KENWOOD CORPORATION

14-6,Dogenzaka 1-chome, Shibuya-ku, Tokyo, 150-8501 Japan

### KENWOOD SERVICE CORPORATION

P.O BOX 22745, 2201 East Dominguez St., Long Beach, CA 90801-5745, U.S.A.

### KENWOOD ELECTRONICS CANADA INC.

6070 Kestrel Road, Mississauga, Ontario, Canada L5T 1S8

### KENWOOD ELECTRONICS LATIN AMERICA S.A.

P.O BOX 55-2791, Piso 6 plaza Chase, Cl. 47 y Aquilino de la Guardia Panama, Republic de Panama

### KENWOOD ELECTRONICS BRASIL LTDA.

Alameda Ministro Rocha Azevedo No. 456, Edificio Jaú, 10o Andar, Cerqueira César, Cep 0140-001, São Paulo-SP-Brasil

### KENWOOD ELECTRONICS U.K. LIMITED

KENWOOD House, Dwight Road, Watford, Herts., WD1 8EB., United Kingdom

### KENWOOD ELECTRONICS BELGIUM N.V.

Leuvensesteenweg 248 J, 1800 Vilvoorde, Belgium

### KENWOOD ELECTRONICS DEUTSCHLAND GMBH

Rembrücker Str. 15, 63150 Heusenstamm, Germany

### KENWOOD ELECTRONICS FRANCE S.A.

13 Boulevard Ney, 75018 Paris, France

### KENWOOD ELECTRONICS ITALIA S.p.A.

Via G. Sirtori, 7/9 20129, Milano, Italy

### KENWOOD IBÉRICA S.A.

Bolivia, 239-08020 Barcelona, Spain

### KENWOOD ELECTRONICS AUSTRALIA PTY. LTD.

(A.C.N. 001 499 074)  
16 Giffnock Avenue, North Ryde, N.S.W. 2113, Australia

### KENWOOD ELECTRONICS (HONG KONG) LTD.

Unit 3712-3724, Level 37, Tower 1, Metroplaza, 223 Hing Fong Road, Kwai Fong N.T., Hong Kong

### KENWOOD ELECTRONICS GULF FZE

P.O.Box 61318, Jebel Ali, Dubai, U.A.E.

### KENWOOD ELECTRONICS SINGAPORE PTE LTD.

No. 1 Genting Lane #02-02, KENWOOD Building, Singapore, 349544

### KENWOOD ELECTRONICS (MALAYSIA) SDN BHD.

#4.01 Level 4, Wisma Academy Lot 4A, Jalan 19/1 46300 Petaling Jaya Selangor Darul Ehsan Malaysia

### KENWOOD ELECTRONICS (THAILAND) CO., LTD.

2019 New Pechburi Road, Bangkapi, Huaykwang, Bangkok, 10320 Thailand